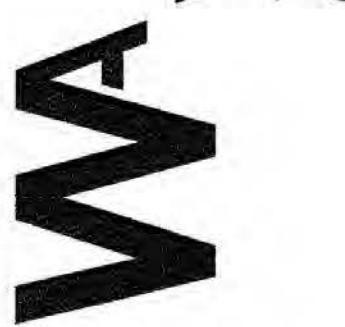




winton architects, inc.
 Phoenix, AZ. 85014
 1435 E. Rancho Drive
 (602) 230-9778
 wintonarcht@gmail.com

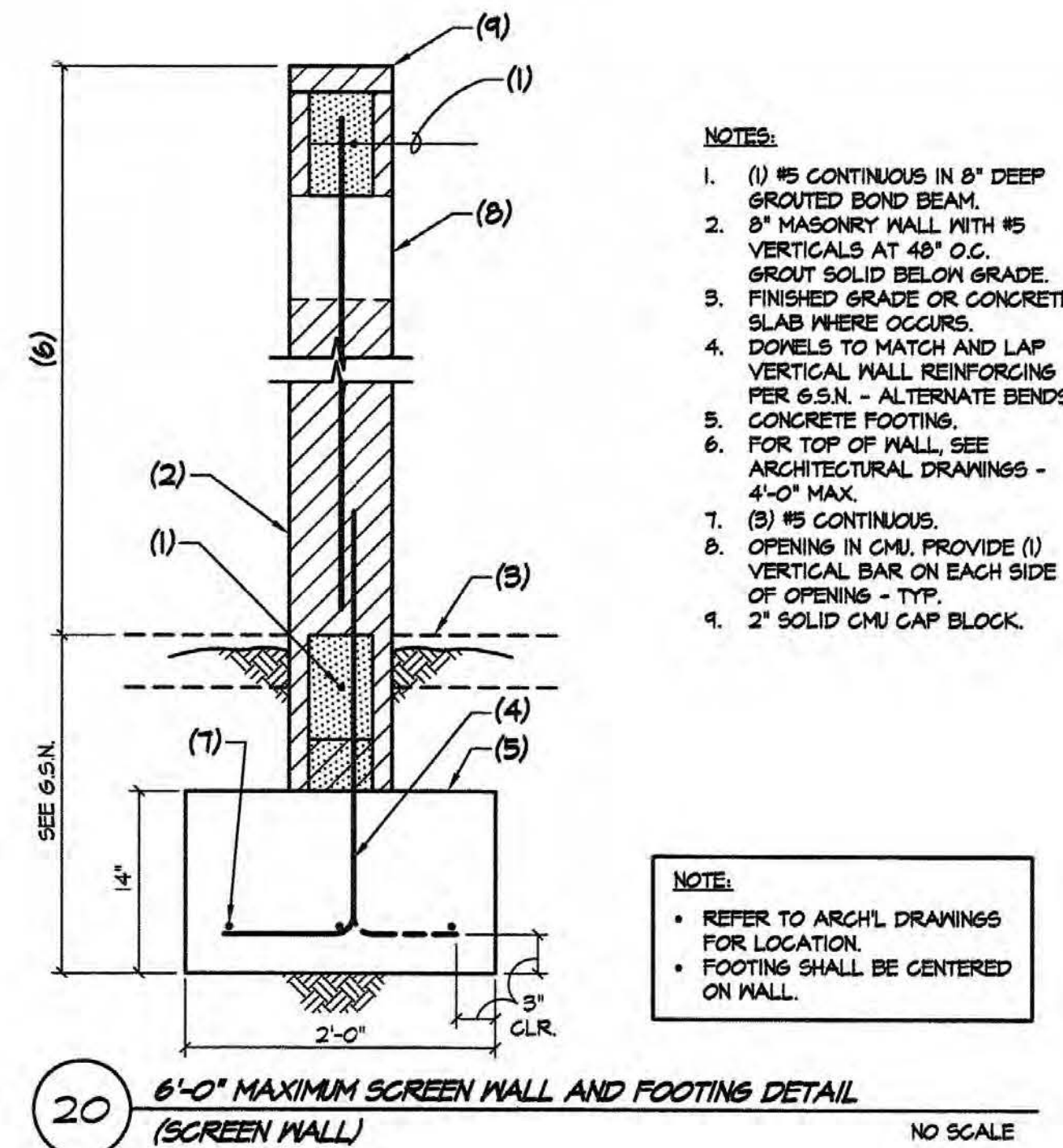


A NEW BUILDING FOR: KIWAMI ON BELL
5327 W. BELL ROAD
GLENDALE, ARIZONA 85306
LOGOS BUILDERS SOUTHWEST

job no. 24-268
 drawn DTR
 approved FJN
 date 12/02/24

revisions

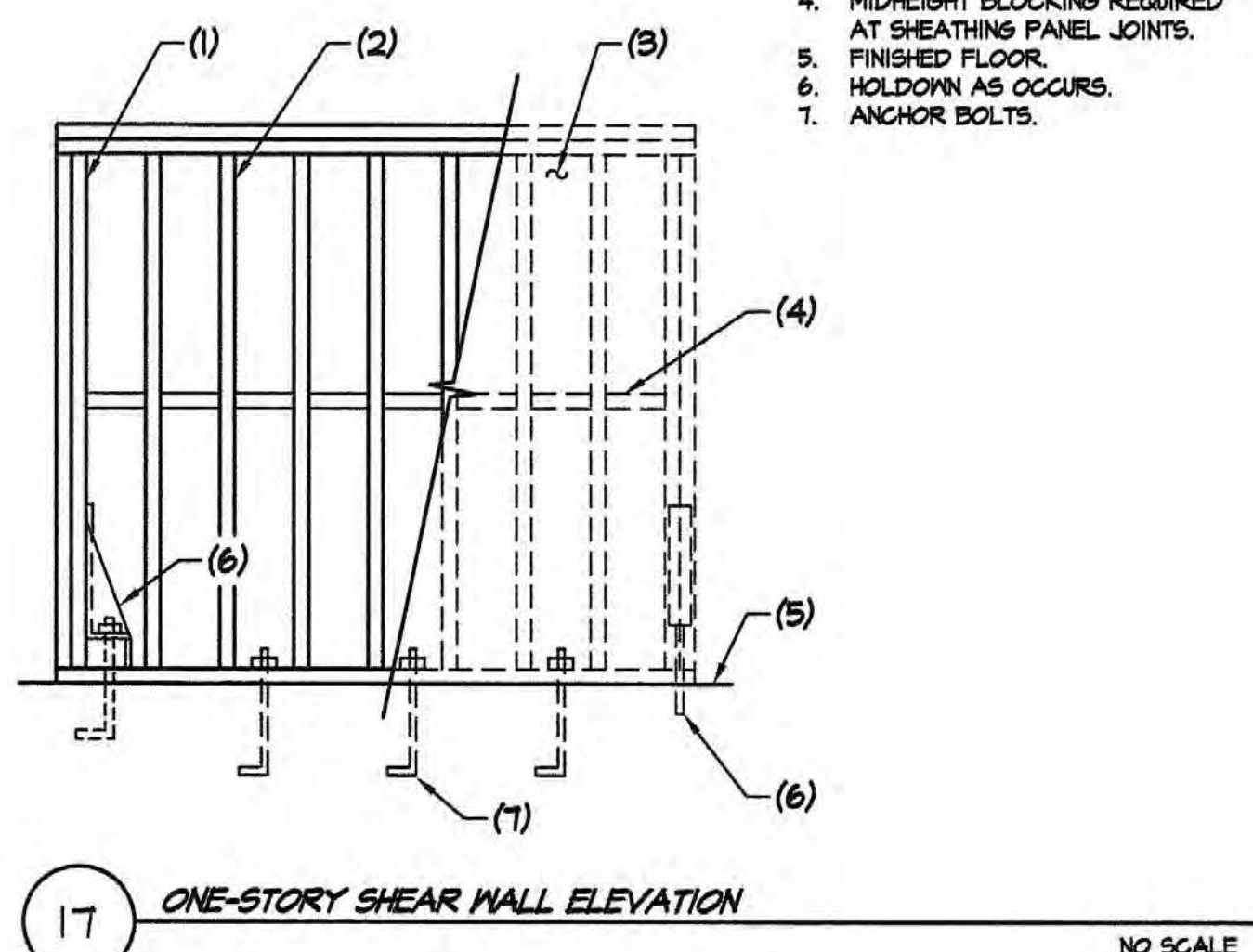
S1.4



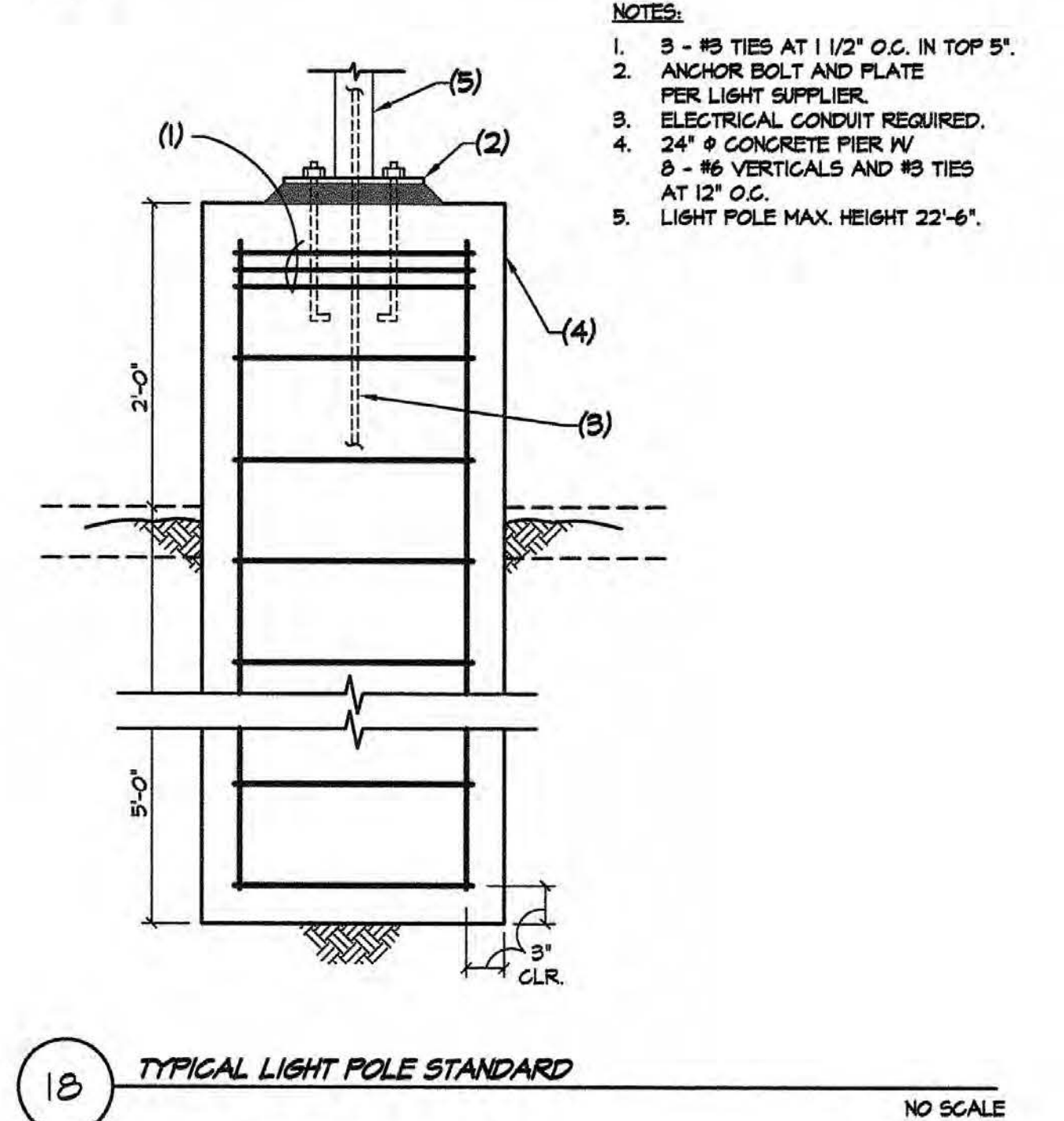
- NOTES:**
- (1) #5 CONTINUOUS IN 8" DEEP GROUTED BOND BEAM.
 - 8" MASONRY WALL WITH #5 VERTICALS AT 48" O.C.
 - GROUT SOLID BELOW GRADE. FINISHED GRADE OR CONCRETE SLAB WHERE OCCURS.
 - DOWELS TO MATCH AND LAP VERTICAL WALL REINFORCING PER 6.S.N. - ALTERNATE BENDS.
 - CONCRETE FOOTING.
 - FOR TOP OF WALL, SEE ARCHITECTURAL DRAWINGS - 4'-0" MAX.
 - (3) #5 CONTINUOUS.
 - OPENING IN CMU, PROVIDE (1) VERTICAL BAR ON EACH SIDE OF OPENING - TYP.
 - 2" SOLID CMU GAP BLOCK.

NOTE:

- REFER TO ARCH'L DRAWINGS FOR LOCATION.
- FOOTING SHALL BE CENTERED ON WALL.



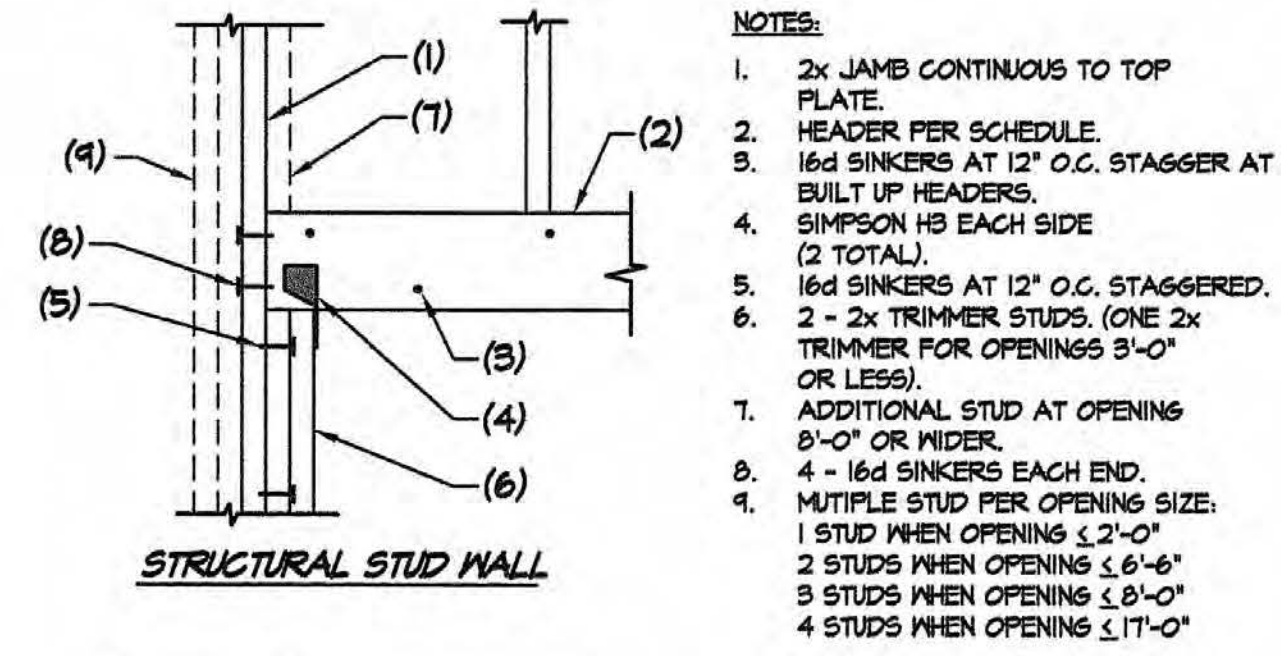
- NOTES:**
- DOUBLE STUDS AT EACH END OF PANEL NAILED AS BUILD-UP POST - TYPICAL.
 - WOOD STUDS.
 - SHEATHING MATERIAL.
 - MIDHEIGHT BLOCKING REQUIRED AT SHEATHING PANEL JOINTS.
 - FINISHED FLOOR.
 - HOLD-DOWN AS OCCURS.
 - ANCHOR BOLTS.



- NOTES:**
- 3 - #3 TIES AT 1/2' O.C. IN TOP 5'.
 - ANCHOR BOLT AND PLATE PER LIGHT SUPPLIER.
 - ELECTRICAL CONDUIT REQUIRED.
 - 24" Ø CONCRETE PIER IV
 - 3 - #6 VERTICALS AND #3 TIES AT 12" O.C.
 - LIGHT POLE MAX. HEIGHT 22'-6".

CONNECTION	NAILING
JOIST TO ALL SILL OR GIRDER, TOE NAIL	3 - 8d
BRIDGINS TO JOIST, TOE NAIL EACH END	2 - 8d
PLATE TO JOIST OR BLOCKING, FACE NAIL	16d AT 16" O.C.
TOP PLATE TO STUD, END NAIL	2 - 16d
STUD TO PLATE	4 - 8d, TOE NAIL OR 2 - 16d, END NAIL
DOUBLED STUDS, FACE NAIL	16d AT 24" O.C.
DOUBLED TOP PLATES, FACE NAIL	16d AT 16" O.C.
TOP PLATE, LAPS AND INTERSECTIONS, FACE NAIL	2 - 16d
CONTINUOUS HEADER, TWO PIECES	16d AT 16" O.C. ALONG EACH EDGE
CEILING JOISTS TO PLATE, TOE NAIL	3 - 8d
CONTINUOUS HEADER TO STUDS, TOE NAIL	4 - 8d
CEILING JOISTS, LAPS OVER PARTITIONS, FACE NAIL	3 - 16d
CEILING JOIST TO PARALLEL RAFTERS, FACE NAIL	3 - 16d
RAFTER TO PLATE, TOE NAIL	3 - 8d
BUILT-UP CORNER STUDS	16d AT 24" O.C.

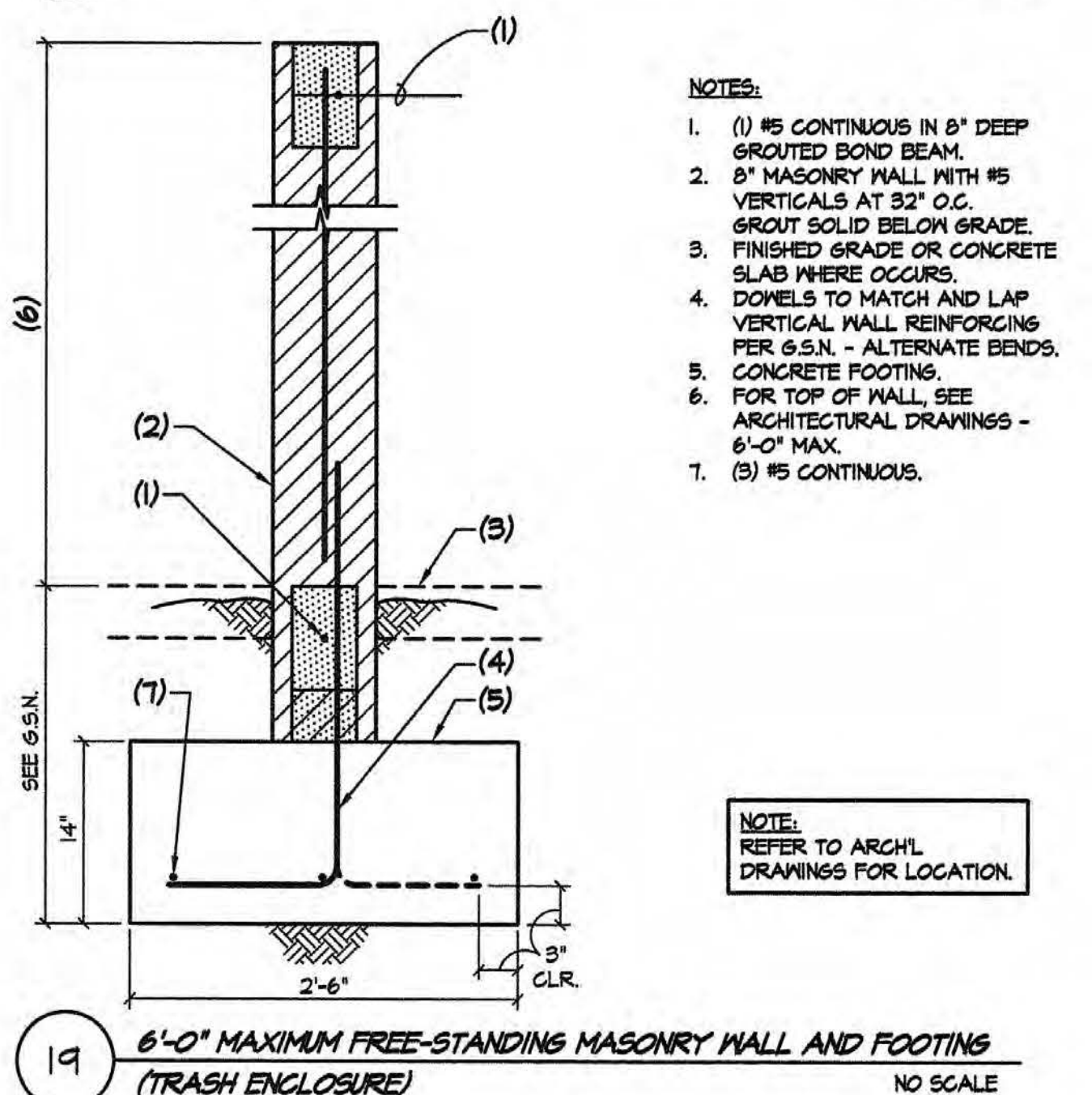
14 NAILING SCHEDULE - U.N.C. INTERNATIONAL BUILDING CODE. NO SCALE



- NOTES:**
- 2x JAMB CONTINUOUS TO TOP PLATE.
 - HEADER PER SCHEDULE.
 - 16d SINKERS AT 12" O.C. STAGGER AT BUILT UP HEADERS.
 - SIMPSON HB EACH SIDE (2 TOTAL).
 - 16d SINKERS AT 12" O.C. STAGGERED.
 - 2 - 2x TRIMMER STUDS (ONE 2x TRIMMER FOR OPENINGS 3'-0" OR LESS).
 - ADDITIONAL STUD AT OPENING 8'-0" OR WIDER.
 - 4 - 16d SINKERS EACH END.
 - MULTIPLE STUD PER OPENING SIZE:
 1 STUD WHEN OPENING ≤ 2'-0"
 2 STUDS WHEN OPENING ≤ 6'-6"
 3 STUDS WHEN OPENING ≤ 8'-0"
 4 STUDS WHEN OPENING ≤ 11'-0"

OPENING WIDTH	HEADER AT OTHER NON-BEARING INTERIOR WALLS
0'-0" TO 4'-0"	2 - 2 X 4
4'-1" TO 6'-0"	2 - 2 X 6
6'-1" TO 8'-0"	2 - 2 X 8
8'-1" TO 10'-0"	2 - 2 X 10

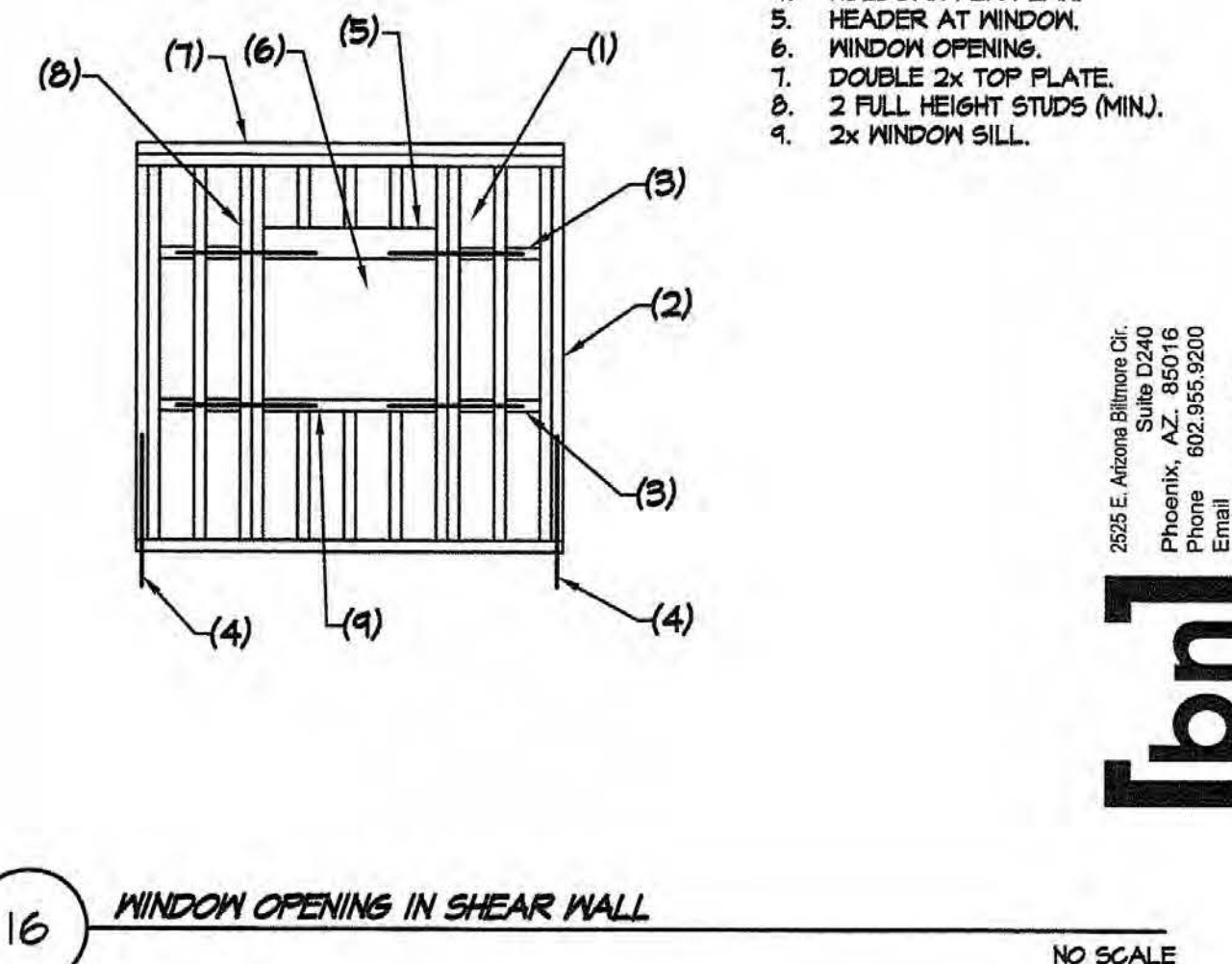
15 WOOD STUD WALL HEADER SCHEDULE. NO SCALE



- NOTES:**
- (1) #5 CONTINUOUS IN 8" DEEP GROUTED BOND BEAM.
 - 8" MASONRY WALL WITH #5 VERTICALS AT 32" O.C.
 - GROUT SOLID BELOW GRADE. FINISHED GRADE OR CONCRETE SLAB WHERE OCCURS.
 - DOWELS TO MATCH AND LAP VERTICAL WALL REINFORCING PER 6.S.N. - ALTERNATE BENDS.
 - CONCRETE FOOTING.
 - FOR TOP OF WALL, SEE ARCHITECTURAL DRAWINGS - 6'-0" MAX.
 - (3) #5 CONTINUOUS.

NOTE:

- REFER TO ARCH'L DRAWINGS FOR LOCATION.



- NOTES:**
- SHEAR WALL PER PLAN.
 - DOUBLE STUD AT HOLD-DOWN.
 - 2x BLOCKING W/ SIMPSON MSTA44 STRAPS, ONE SIDE OF WALL, EACH CORNER OF WINDOW.
 - HOLD-DOWN PER PLAN.
 - HEADER AT WINDOW.
 - WINDOW OPENING.
 - DOUBLE 2x TOP PLATE.
 - 2 FULL HEIGHT STUDS (MIN).
 - 2x WINDOW SILL.

[bn]
 bakcum noelke
 structural engineers

2835 E. Arizona Biltmore Cir.
 Suite 1240
 Phoenix, AZ. 85016
 Email: 602.955.9200
 cnob@bakcumnoelke.com