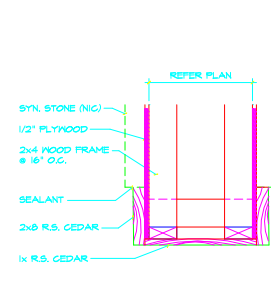
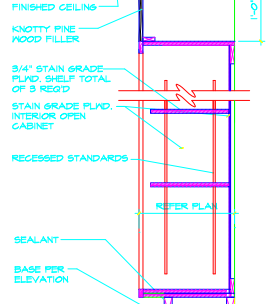


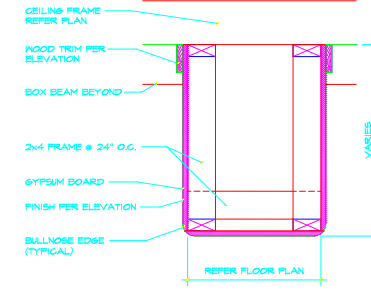
05 ARCH AT PASS-OUT LINE
1 1/2" x 1'-0"



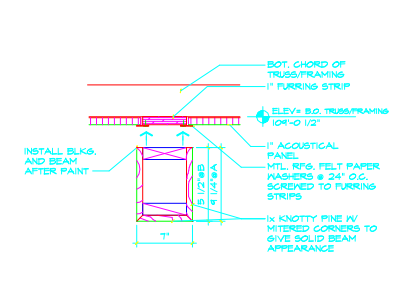
04 WOOD/STONE HEADER
1 1/2" x 1'-0"



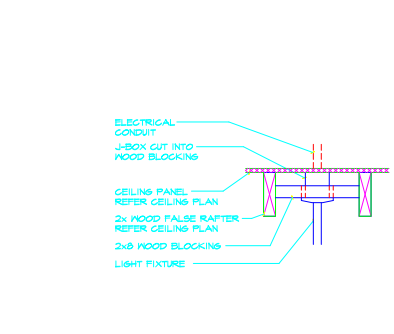
03 TO-GO STAGING CAB.
1'-0"



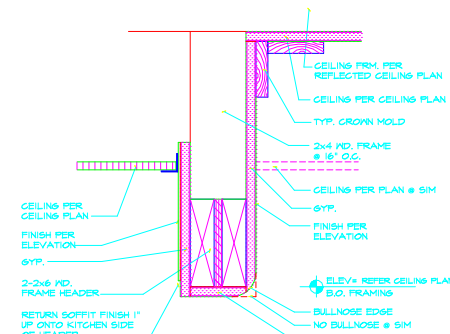
02 GYP. BOARD HEADER
1 1/2" x 1'-0"



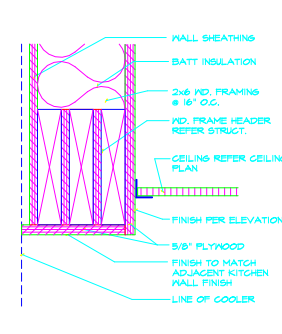
01 BOX BEAM DETAIL
1 1/2" x 1'-0"



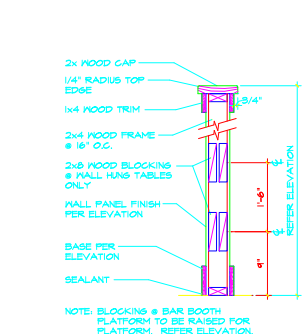
10 LIGHT FIXTURE MOUNT
1 1/2" x 1'-0"



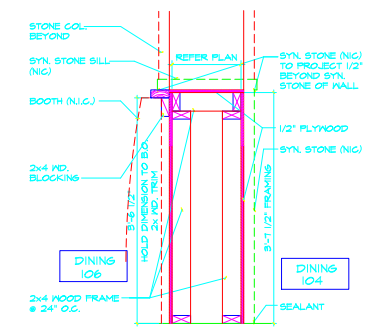
09 HEADER AT KITCHEN/DINING CORR.
1" x 1'-0"



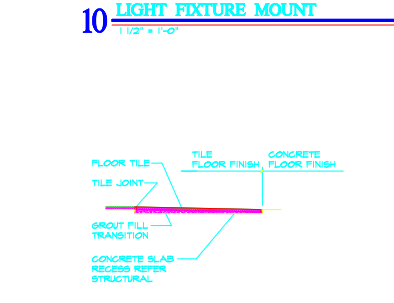
08 HEADER AT COOLER DOOR
8" x 1'-0"



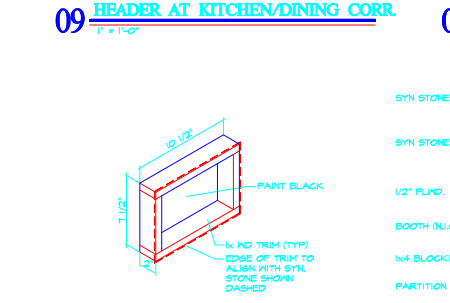
07 TYPICAL LOW PARTITION
1" x 1'-0"



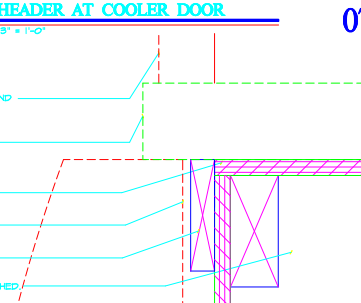
06 SYN. STONE LOW PARTITION
1" x 1'-0"



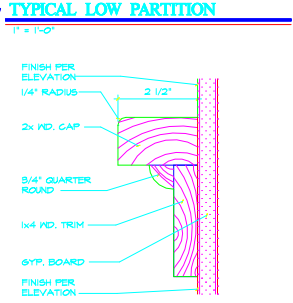
15 FLOOR TILE TRANSITION
1" x 1'-0"



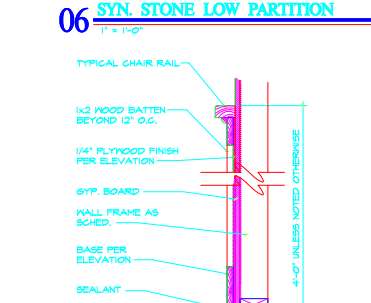
14 WD. TRIM AT SYN. STONE FOR T-STAT
1 1/2" x 1'-0"



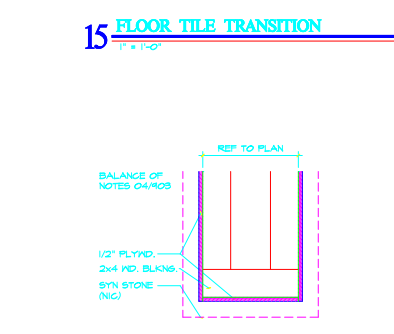
13 WD. TRIM AT STONE MEETING BOOTH
8" x 1'-0"



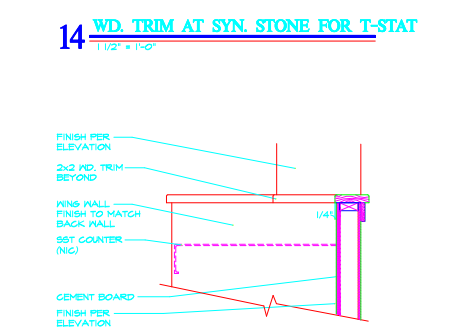
12 TYPICAL CHAIR RAIL
8" x 1'-0"



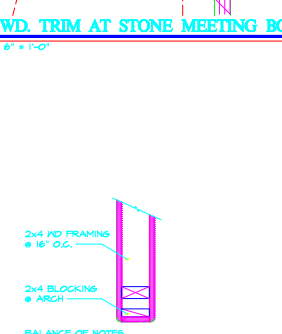
11 TYPICAL WOOD WAINSCOT
1 1/2" x 1'-0"



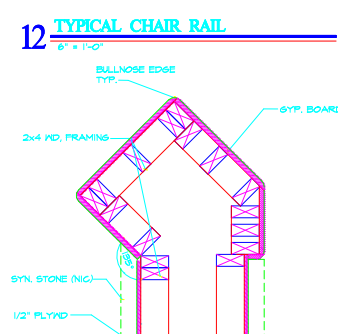
20 SYN. STONE HEADER
1 1/2" x 1'-0"



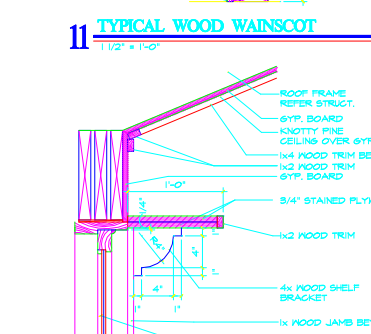
19 DRINK STATION
1" x 1'-0"



18 GYP. BOARD HEADER
1 1/2" x 1'-0"



17 GYP./STONE COLUMN
1 1/2" x 1'-0"



16 SHELF
1 1/2" x 1'-0"