

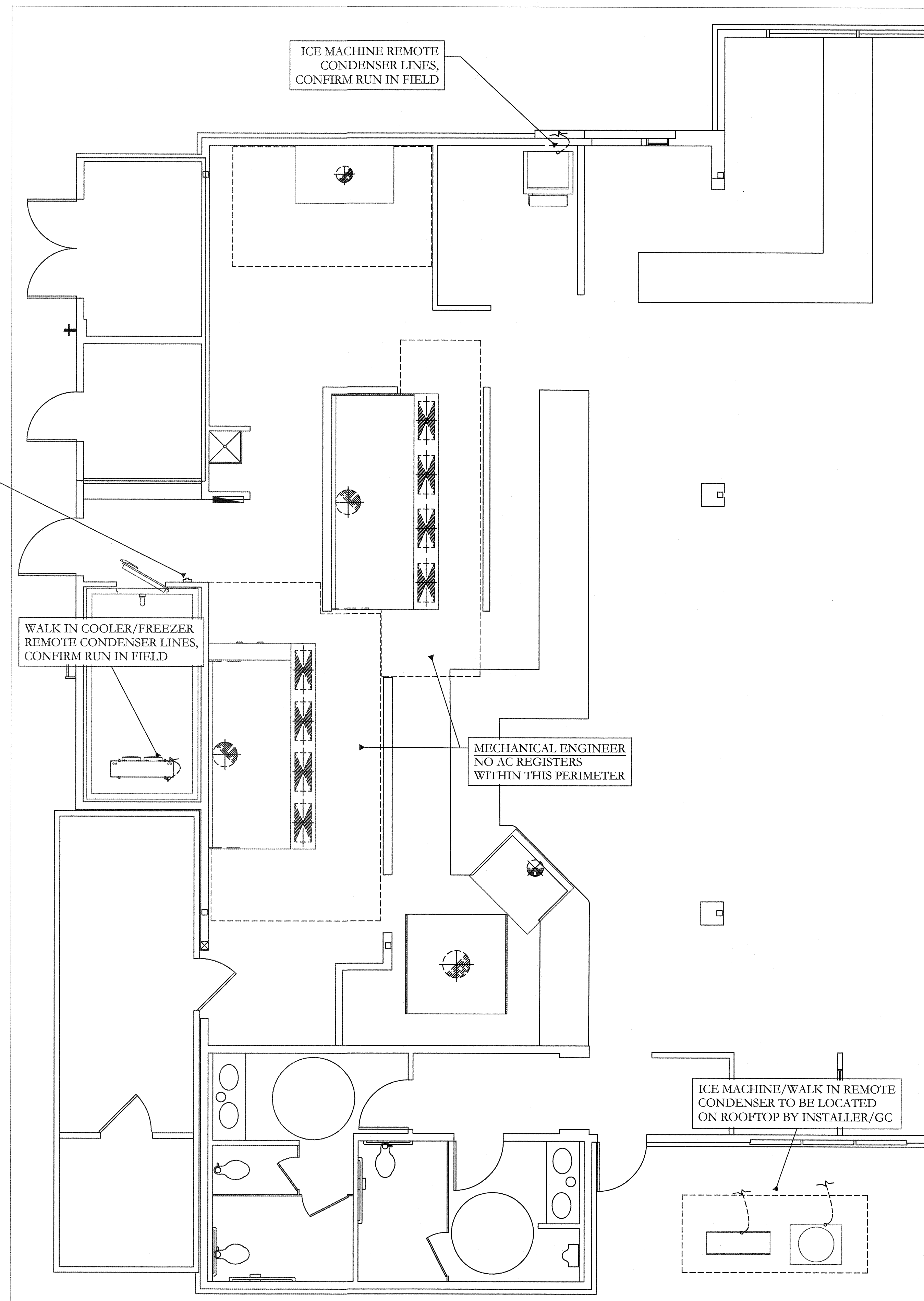
REMOTE PULL STATION

**LEGEND - MECHANICAL CONNECTIONS**

- NOT ALL SYMBOLS MAY BE USED
- FIRE SUPPRESSION PULL SWITCH, OCTAGON BOX TO BE SET INSIDE WALL WITH CONCEALED CONDUIT.
  - REMOTE CONDENSER LINE SET OUTGOING/INCOMING FROM KITCHEN TO ROOFTOP.
  - FLU EXHAUST CONNECTION POINT FOR WATER HEATER, INSTALLED BY PLUMBER
  - FIRE SUPPRESSION SYSTEM TANKS & CONTROLS
  - MAKE UP AIR DUCT RISER
  - GREASE DUCT RISER
  - AC DUCT RISER

**MECHANICAL SCOPE OF WORK**

- KEC TO PROVIDE:**
- RECEIVING OF EQUIPMENT DELIVERY ONSITE,
  - HOOD BOXES,
  - 20 GA. S/S WALL FLASHING UP TO 120" HIGH (CONFIRM WITH GC CODE REQUIREMENT ON HEIGHT) FROM 4" ABOVE FLOOR, END OF HOOD TO END OF HOOD AND ANY SIDE WALL(S) AROUND PERIMETER OF HOOD,
  - EXHAUST FAN(S) & ROOF CURB(S),
  - EVAP COOLER/MAKE UP AIR UNIT & ROOF CURB(S),
  - ELECTRICAL CONTROL PANEL W/ RELAYS & CONTACTORS,
  - ANSUL SYSTEM PIPING, TANKS, PERMIT, INSTALLATION & FINAL TEST,
  - HANGING OF HOOD BOXES & INSTALLATION OF S/S WALL FLASHING,
  - PERFORMANCE CHECK OF SYSTEM AFTER HVAC START UP,
  - LOCATIONS FOR ROOF PENETRATIONS FOR REMOTE CONDENSERS WITH PVC CHASE,
  - PRESSURE TREATED 4"X4" WOOD FOR SETTING OF REMOTE CONDENSERS WHEN NECESSARY.
- GC/MECHANICAL CONTRACTOR TO PROVIDE:**
- RECEIVING OF ROOFTOP EQUIPMENT ONSITE, ONSITE STORAGE IF NECESSARY,
  - CRANE TO ROOFTOP,
  - CUTTING OF ROOF DECK & PLACEMENT OF CURBS, PATCHING OF ROOF,
  - GREASE DUCT/FIREWRAP & INSTALLATION,
  - MUA/AC DUCT & INSTALLATION,
  - MOUNTING OF ELECTRICAL CONTROLS (IF NECESSARY),
  - FINAL ELECTRICAL & PLUMBING CONNECTIONS,
  - START UP AND BALANCE OF HOOD WITH AC,
  - CUTTING AND SEAL ROOF PENETRATIONS FOR REMOTE CONDENSER LINE CHASE - PROVIDE GALVANIZED "GOOSE NECK" IF PREFERRED OVER KEC PROVIDED PVC.
  - CONDENSER CURBS SHOULD THEY BE REQUIRED OVER 4"X4" WOOD BY KEC.



MECHANICAL CONDITIONS PLAN  
SCALE: 1/4"=1'-0"

<p><b>ARCHITECT</b></p> <p><b>WINTON ARCHITECTS, INC</b> 1110 E. MISSOURI AVENUE #800 PHOENIX, ARIZONA 85014 (602) 280-2740</p>	REV.	A	-	-	-	-	-	-	-	
	STATUS									
	<p><b>AZ ARC</b> <b>ARIZONA</b> RESTAURANT CONSULTING 7920 E. OAK STREET, SUITE 300, SCOTTSDALE, ARIZONA 85257 JUSTIN@AZRESTAURANTCONSULTING.COM</p>									
	<p><b>CLIENT</b></p> <p><b>LIN'S GRAND BUFFET</b> CASA GRANDE, ARIZONA</p>									
	<p><b>PROJECT</b></p> <p><b>MECHANICAL ROUGH IN PLAN</b></p>									
<p>Drawn by: <b>JBM</b></p>										
<p>Checked by:</p>										
<p>Date: <b>2/3/2021</b></p>										
<p>Sheet Number:</p>										
<p><b>FS-4.0</b></p>										

THIS DRAWING IS AN INSTRUMENT OF DESIGN SERVICE AND IS THE INTELLECTUAL PROPERTY OF AZ RESTAURANT CONSULTING. THIS PROPERTY MAY NOT BE REALLOCATED IN ANY FORM, BY ANY OTHER ENTITY, FOR ANY PURPOSE WITHOUT WRITTEN PERMISSION FROM AZ RESTAURANT CONSULTING, UNDER PENALTY OF LAW. THIS DRAWING IS THE CULMINATION OF CONTRACTED TIME BETWEEN OUR EXPERIENCED DESIGN CONSULTANT AND THE "OWNER"/"OWNER'S REPRESENTATIVE" WHICH REFLECTS THE JOINT OPINION OF BOTH PARTIES. THE LAYOUT(S) ABOVE ARE INTENDED TO PRESENT THE MOST EFFICIENT AND EFFECTIVE USE OF THE SPACE PROVIDED, ACCORDING TO INFORMATION UNDERSTOOD BY ALL PARTIES AT THE ORIGINAL DATE OR MOST RECENT REVISION DATE SHOWN ON THIS DRAWING. DEVIATION FROM THE DETAILS ABOVE ARE NOT THE RESPONSIBILITY OF AZ RESTAURANT CONSULTING.

FOR QUESTIONS, CALL THE  
Arizona Office  
Tim Mathis  
PHONE: (480) 926-6810  
EMAIL: reg93@captiveaire.com

PATENT NUMBERS

AC-PSP (UNITED STATES) - US PATENT 7963830 B2.  
AC-PSP WALL (CANADA) - CA PATENT 2820509.  
AC-PSP ISLAND (CANADA) - CA PATENT 2520330.  
EXHAUST HOODS ND-2/BD-2/SND-2 (CANADA) - CA PATENT 2520435 C.

Captive Aire Systems Arizona  
Contact Kelly Ryan, Tim Mathis or Spencer Alverson  
1717 E. Bell Rd., Ste 12 Phoenix, AZ 85022  
PHONE: (480) 926-6810, (855) 926-6810  
FAX: (480) 926-6811

HOOD INFORMATION - JOB#4685901

HOOD NO	TAG	MODEL	MANUFACTURER	LENGTH	MAX COOKING TEMP	TYPE	APPLIANCE DUTY	DESIGN CFM/FT	TOTAL EXH CFM	EXHAUST PLENUM RISER(S)				TOTAL SUPPLY CFM	HOOD CONSTRUCTION	HOOD CONFIG		
										WIDTH	LENG	HEIGHT	SP			END TO END	ROW	
1	Small WOK	6030 ND-2-PSP-F	CAPTIVEAIRE	11' 6"	600 DEG	I	HEAVY	300	3450	4"	18"	3450	1952	-0.635"	2932	430 SS WHERE EXPOSED	ALONE	ALONE
2	Large WOK	6030 ND-2-PSP-F	CAPTIVEAIRE	13' 0"	600 DEG	I	HEAVY	300	3900	4"	18"	3900	2207	-0.790"	2886	430 SS WHERE EXPOSED	ALONE	ALONE
3	Grill	4830 ND-2	CAPTIVEAIRE	5' 0"	600 DEG	I	HEAVY	300	1500	4"	12"	1500	1910	-0.461"	0	430 SS WHERE EXPOSED	ALONE	ALONE
4	Mongolian	7230 NDI	CAPTIVEAIRE	6' 0"	600 DEG	I	HEAVY	500	3000	4"	20"	3000	2204	-0.569"	0	430 SS WHERE EXPOSED	ALONE	ALONE
5	Dish	4230 VHB-G	CAPTIVEAIRE	6' 0"	700 DEG	II	N/A	175	1050	4"	12"	1050	1337	-0.143"	0	430 SS 100%	ALONE	ALONE

HOOD INFORMATION

HOOD NO	TAG	TYPE	FILTER(S)				LIGHT(S)			UTILITY CABINET(S)				FIRE SYSTEM PIPING	HOOD HANGING WEIGHT		
			QTY	HEIGHT	LENGTH	EFFICIENCY @ 7 MICRONS	QTY	TYPE	WIRE GUARD	LOCATION	SIZE	TYPE	SIZE			ELECTRICAL MODEL #	SWITCHES QUANTITY
1	Small WOK	SS BAFFLE WITH HANDLES	8	20"	16"	30%	4	L55 SERIES E26	NO	RIGHT	12"x60"x36"	ANSUL R102	3.0/3.0/3.0	SC-321110FP	1 LIGHT 1 FAN	YES	922 LBS
2	Large WOK	SS BAFFLE WITH HANDLES	9	20"	16"	30%	4	L55 SERIES E26	NO							YES	682 LBS
3	Grill	SS BAFFLE WITH HANDLES	3	20"	16"	30%	2	L55 SERIES E26	NO							NO	297 LBS
4	Mongolian	SS BAFFLE WITH HANDLES	8	20"	16"	30%	4	RECESSED	NO							NO	506 LBS
5	Dish						0									NO	222 LBS

HOOD OPTIONS

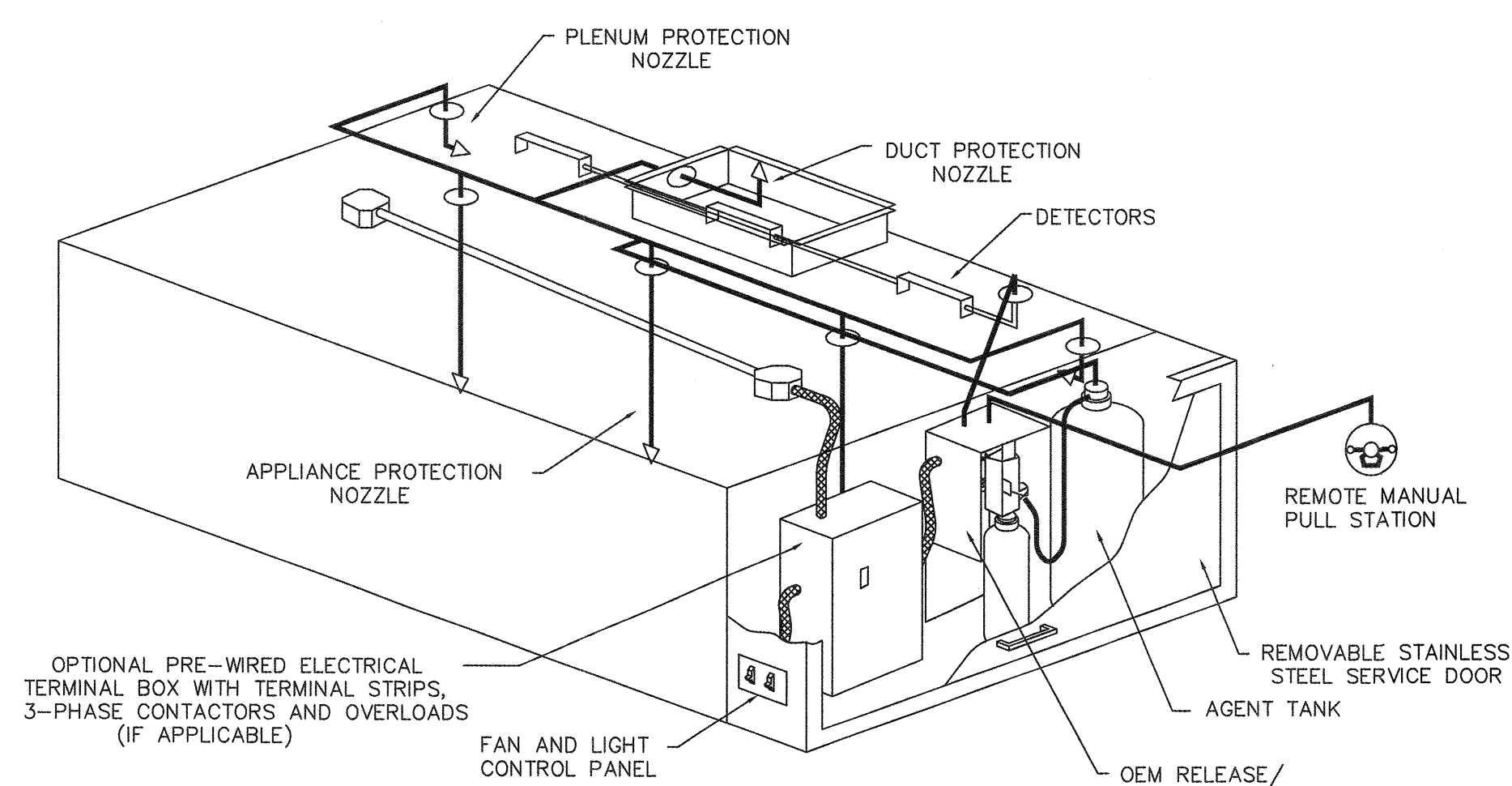
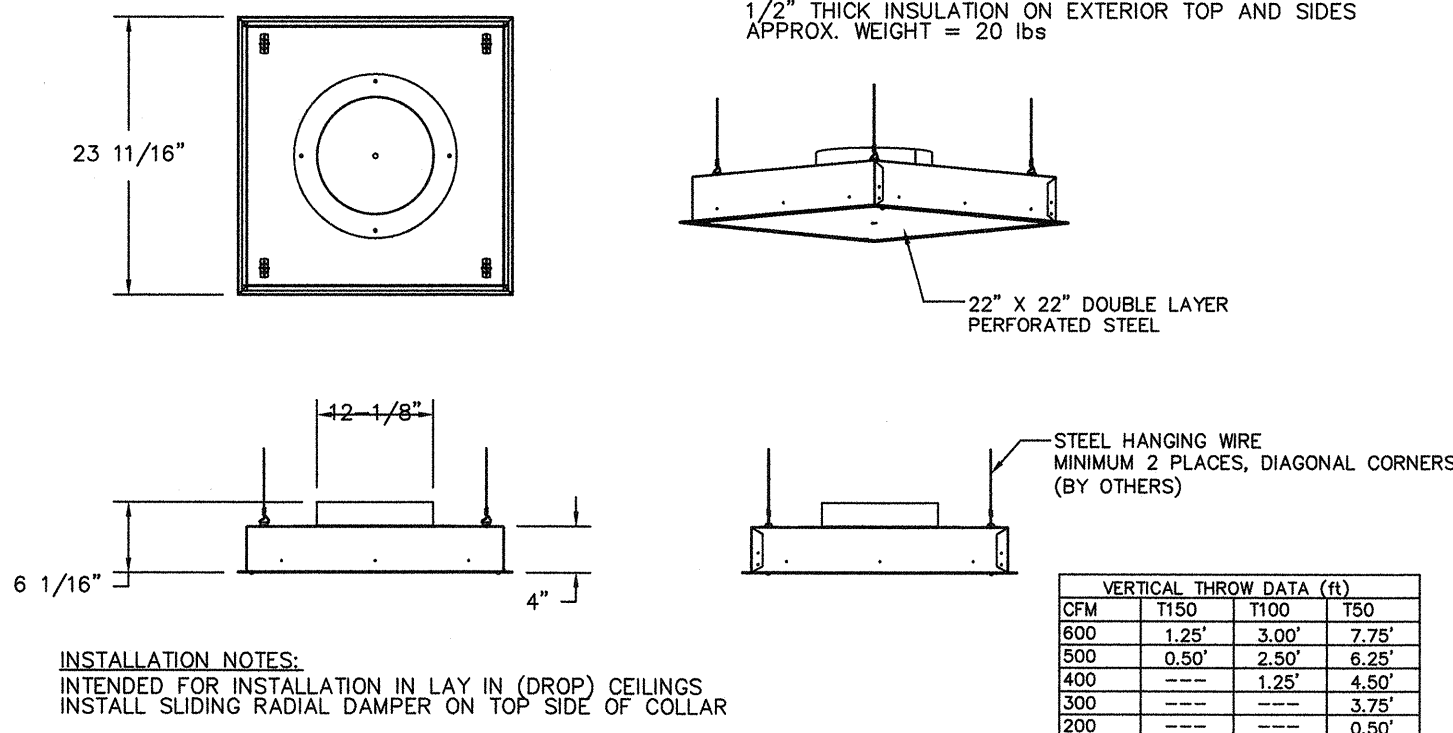
HOOD NO	TAG	OPTION
1	Small WOK	FIELD WRAPPER 18.00" HIGH FRONT, LEFT.
		BACKSPLASH 128.00" HIGH X 150.00" LONG 430 SS VERTICAL.
		RIGHT QUARTER END PANEL 23" TOP WIDTH, 0" BOTTOM WIDTH, 23" HIGH 430 SS.
		LEFT QUARTER END PANEL 23" TOP WIDTH, 0" BOTTOM WIDTH, 23" HIGH 430 SS.
2	Large WOK	BALANCE DAMPERS.
		STRUCTURAL FRONT PANEL.
		FIELD WRAPPER 18.00" HIGH FRONT, RIGHT.
		BACKSPLASH 80.00" HIGH X 157.00" LONG 430 SS VERTICAL.
3	Grill	RIGHT END STANDOFF (FINISHED) 1" WIDE 60" LONG INSULATED.
		BALANCE DAMPERS.
		STRUCTURAL FRONT PANEL.
		LEFT VERTICAL END PANEL 27" TOP WIDTH, 21" BOTTOM WIDTH, 80" HIGH INSULATED 430 SS.
4	Mongolian	FIELD WRAPPER 18.00" HIGH FRONT, LEFT, RIGHT, BACK.
		FINISHED BACK - GROUND/POLISH 80.00" LONG.
		LEFT END STANDOFF (FIN/INS- ISLAND) 1" WIDE 72" LONG INSULATED.
		RIGHT END STANDOFF (FIN/INS- ISLAND) 1" WIDE 72" LONG INSULATED.
5	Dish	RISER SENSOR INSTALL 3IN DBL.
		RISER SENSOR INSTALL 3IN DBL.
		FIELD WRAPPER 18.00" HIGH FRONT, LEFT, RIGHT.
		BACKSPLASH 128.00" HIGH X 108.00" LONG 430 SS VERTICAL.

PERFORATED SUPPLY PLENUM(S)

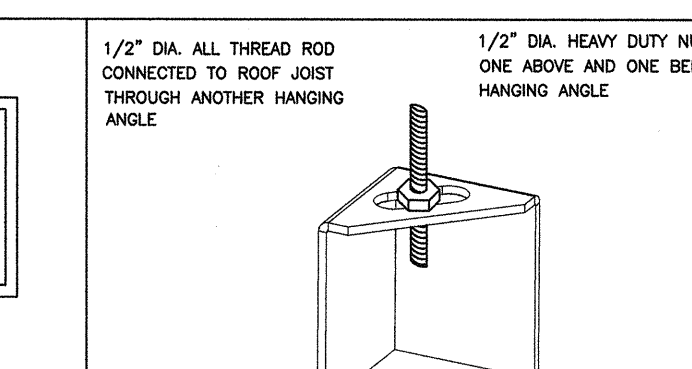
HOOD NO	TAG	POS	LENGTH	WIDTH	HEIGHT	TYPE	RISER(S)			
							WIDTH	LENG	DIA	CFM
1	Small WOK	Front	150"	18"	6"	MUA	12"	28"	733	0.202"
						MUA	12"	28"	733	0.202"
						MUA	12"	28"	733	0.202"
						MUA	12"	28"	733	0.202"
2	Large WOK	Front	157"	18"	6"	MUA	12"	28"	721	0.196"
						MUA	12"	28"	721	0.196"
						MUA	12"	28"	721	0.196"
						MUA	12"	28"	721	0.196"

QTY 8-DROP-IN PERFORATED SUPPLY PLENUM DIFFUSER (DI-PSP) - 450CFM PER DIFFUSER

FEATURES:  
STAINLESS STEEL PERFORATION AND TRIM  
REMOVABLE PERFORATION FOR PLENUM CLEANING  
DOUBLE PERFORATION FOR EVEN AIR DISTRIBUTION  
1/2" THICK INSULATION ON EXTERIOR TOP AND SIDES  
APPROX. WEIGHT = 20 lbs



UL 300 FIRE SUPPRESSION SYSTEMS INCLUDED



HOOD STYLE	DIM FROM REAR	DIM FROM FRONT (24\"/>	
CANOPY ND2	4.166"	2.246"	2.246"
ND2-PSP-F	4.166"	2.246"	2.246"
BACKSHELF 2847BD	2.00"	14.25"	-
VHB/VHB-G	36"x36"	42"x42"	48"x48"
FRONT/BACK DIMS BY SIZE	2.246"	2.246"	2.246"

HANGING ANGLE LOCATIONS  
EXHAUST CFM=LENGTH OF HOOD X CFM/LIN.FT. (LOAD)  
SUPPLY CFM=EXHAUST CFM X PERCENTAGE REQUIRED  
TOTAL DUCT AREA=144 X  $\frac{CFM}{FM^3}$   
DUCT LENGTH=  $\frac{TOTAL DUCT AREA}{DUCT DEPTH}$

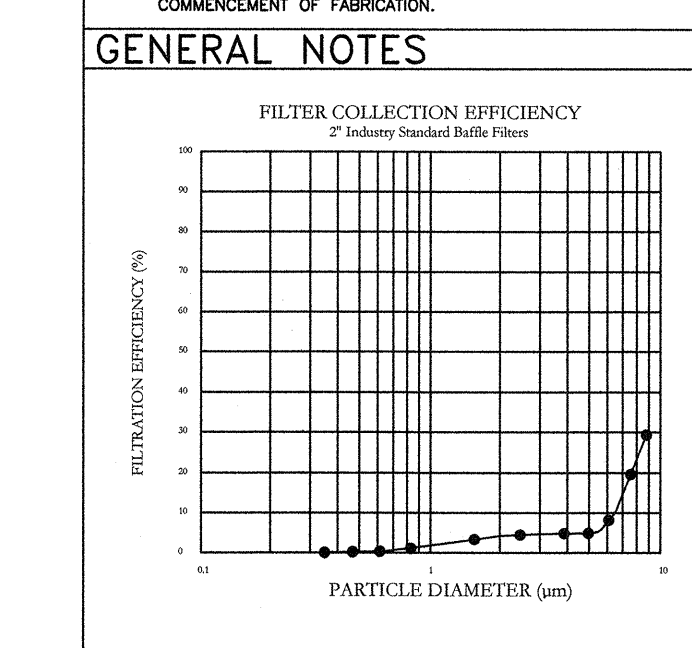
CALCULATIONS UTILIZED  
CAPTIVE-AIRE HOODS ARE BUILT IN COMPLIANCE WITH:  
ANSI Z90.1-2011  
UL 300  
ANSI Z90.1-2011  
UL 300  
ANSI Z90.1-2011  
UL 300

BUILDING CODES  
CAPTIVE-AIRE HOODS HAVE OPTIONAL CLEARANCE REDUCTION SYSTEMS AVAILABLE AS FOLLOWS:  
MATERIAL CLEARANCE REDUCTION SYSTEM  
NON-COMBUSTIBLE NONE REQUIRED  
LIMITED-COMBUSTIBLE 3" UNINSULATED STANDOFF  
COMBUSTIBLE 1" INSULATED STANDOFF

CLEARANCE TO COMBUSTIBLES

- 1. ALL ELECTRICAL "FIELD" CONNECTIONS AND RELATED INTERCONNECTIONS BY ELECTRICAL CONTRACTORS.
- 2. ALL PLUMBING "FIELD" CONNECTIONS AND RELATED INTERCONNECTIONS BY PLUMBING CONTRACTORS.
- 3. HANGING BRACKETS LOCATED AND WELDED AS SHOWN ON PLANS. ALL OTHER HANGER MATERIALS PROVIDED BY INSTALLING CONTRACTORS.
- 4. ALL CONNECTIONS FROM CAPTIVE-AIRE HOOD PER MECHANICAL CONTRACTORS' PLANS.
- 5. COOKING EQUIPMENT TO SHUTOFF IN EVENT OF FIRE.
- 6. EXHAUST FANS TO TURN ON IN EVENT OF FIRE.
- 7. ALL LIGHTS FIXTURE SHOWN INSTALLED BY CAPTIVE-AIRE ARE FACTORY PREWIRED. INTERCONNECTIONS BETWEEN HOODS AND TO SWITCHES BY ELECTRICAL CONTRACTORS.
- 8. LAMPS FOR LIGHT FIXTURES BY INSTALLING CONTRACTORS.
- 9. SIGNING RESTAURANT IS RESPONSIBILITY OF INSTALLING CONTRACTOR.
- 10. INSTALLING CONTRACTORS ASSUME ALL RELATED RESPONSIBILITY FOR VERIFICATION OF DIMENSIONAL DATA CONTAINED ON THESE DOCUMENTS FOR ACCURACY, INTEGRATION, AND ADMINISTRATION OF CODE REQUIREMENTS IN EFFECT PRIOR TO ANY RELEASE FOR PRODUCTION OF EQUIPMENT SHOWN.
- 11. KITCHEN HOODS MUST BE BALANCED WITH KITCHEN.
- 12. KITCHEN SHALL BE NEGATIVE WITH RESPECT TO DRIVING AREA.
- 13. RESTAURANT SHALL BE POSITIVE WITH RESPECT TO AMBIENT PRESSURE.

GENERAL NOTES



Kleen Guard UL Listed Grease Extracting Filters Made From 430 Stainless Steel

**REVISIONS**

NO.	DESCRIPTION	DATE

**CAPTIVE AIRE**  
Arizona Office  
www.captiveaire.com  
1717 E. Bell Road, SUITE 12, Phoenix, AZ 85022 PHONE: (480) 926-6810 FAX: (877) 719-2227 EMAIL: reg93@captiveaire.com

Lin's Grand Buffet - Casa Grande  
CASA GRANDE, AZ, 85193

DATE: 1/18/2021  
DWG.#: 4685901  
DRAWN BY: kelly.ryan  
SCALE: 3/4" = 1'-0"  
MASTER DRAWING  
SHEET NO. 1

**AZ ARC**  
ARIZONA RESTAURANT CONSULTING  
7920 E. OAK STREET, SUITE 200, SCOTTSDALE, ARIZONA 85257  
JUSTIN@AZRESTAURANTCONSULTING.COM

WINTON ARCHITECTS, INC  
1110 E. MISSOURI AVENUE #800  
PHOENIX, ARIZONA 85014  
(602) 230-2740

**STATUS**  
REV. A B C D E

**ARCHITECT**  
WINTON ARCHITECTS, INC  
1110 E. MISSOURI AVENUE #800  
PHOENIX, ARIZONA 85014  
(602) 230-2740

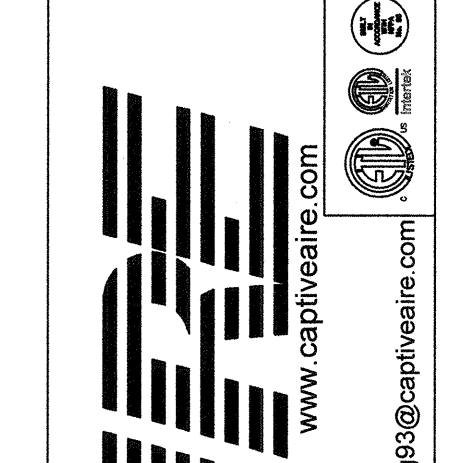
**LIN'S GRAND BUFFET**  
CASA GRANDE, ARIZONA  
MECHANICAL SPECIFICATIONS

Drawn by: TM  
Checked by: JBM  
Date: 2/3/2021  
Sheet Number:

FS-4.1

THIS DRAWING IS AN INSTRUMENT OF DESIGN SERVICE AND IS THE INTELLECTUAL PROPERTY OF AZ RESTAURANT CONSULTING. THIS PROPERTY MAY NOT BE REALLOCATED IN ANY FORM, BY ANY OTHER ENTITY, FOR ANY PURPOSE WITHOUT WRITTEN PERMISSION FROM AZ RESTAURANT CONSULTING, UNDER PENALTY OF LAW. THIS DRAWING IS THE CULMINATION OF CONTRACTED TIME BETWEEN OUR EXPERIENCED DESIGN CONSULTANT AND THE "OWNER"/"OWNER'S REPRESENTATIVE" WHICH REFLECTS THE JOINT OPINION OF BOTH PARTIES. THE LAYOUT(S) ABOVE ARE INTENDED TO PRESENT THE MOST EFFICIENT AND EFFECTIVE USE OF THE SPACE PROVIDED, ACCORDING TO INFORMATION UNDERSTOOD BY ALL PARTIES AT THE ORIGINAL DATE OR MOST RECENT REVISION DATE SHOWN ON THIS DRAWING. DEVIATION FROM THE DETAILS ABOVE ARE NOT THE RESPONSIBILITY OF AZ RESTAURANT CONSULTING.

REVISIONS	
DESCRIPTION	DATE



**Lin's Grand Buffet - Casa Grande**  
 CASA GRANDE, AZ, 85193

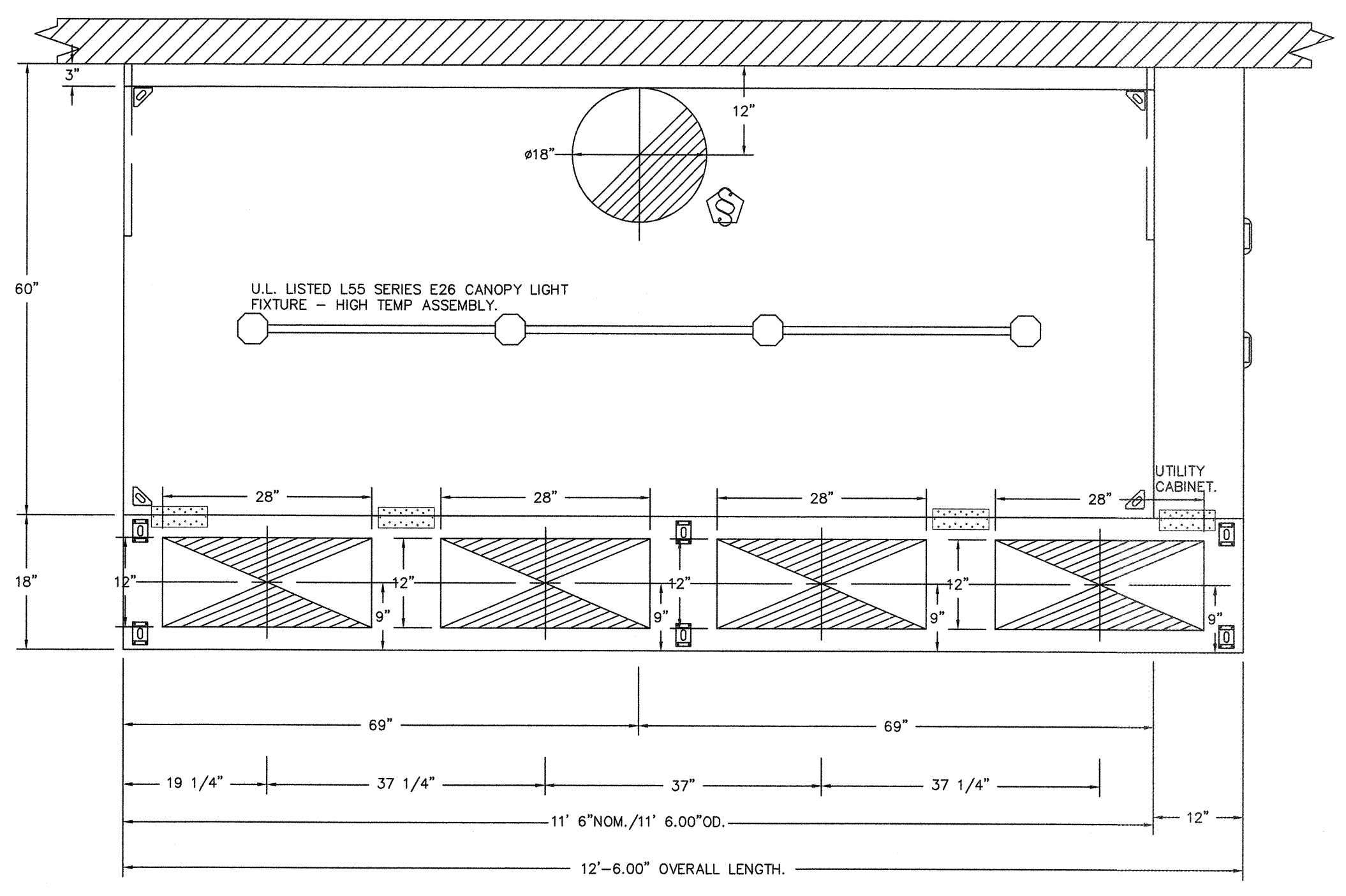
**DATE:** 1/18/2021  
**DWG.#:** 4685901  
**DRAWN BY:** kelly.ryan  
**SCALE:** 3/4" = 1'-0"  
**MASTER DRAWING**

**SHEET NO.**  
 2

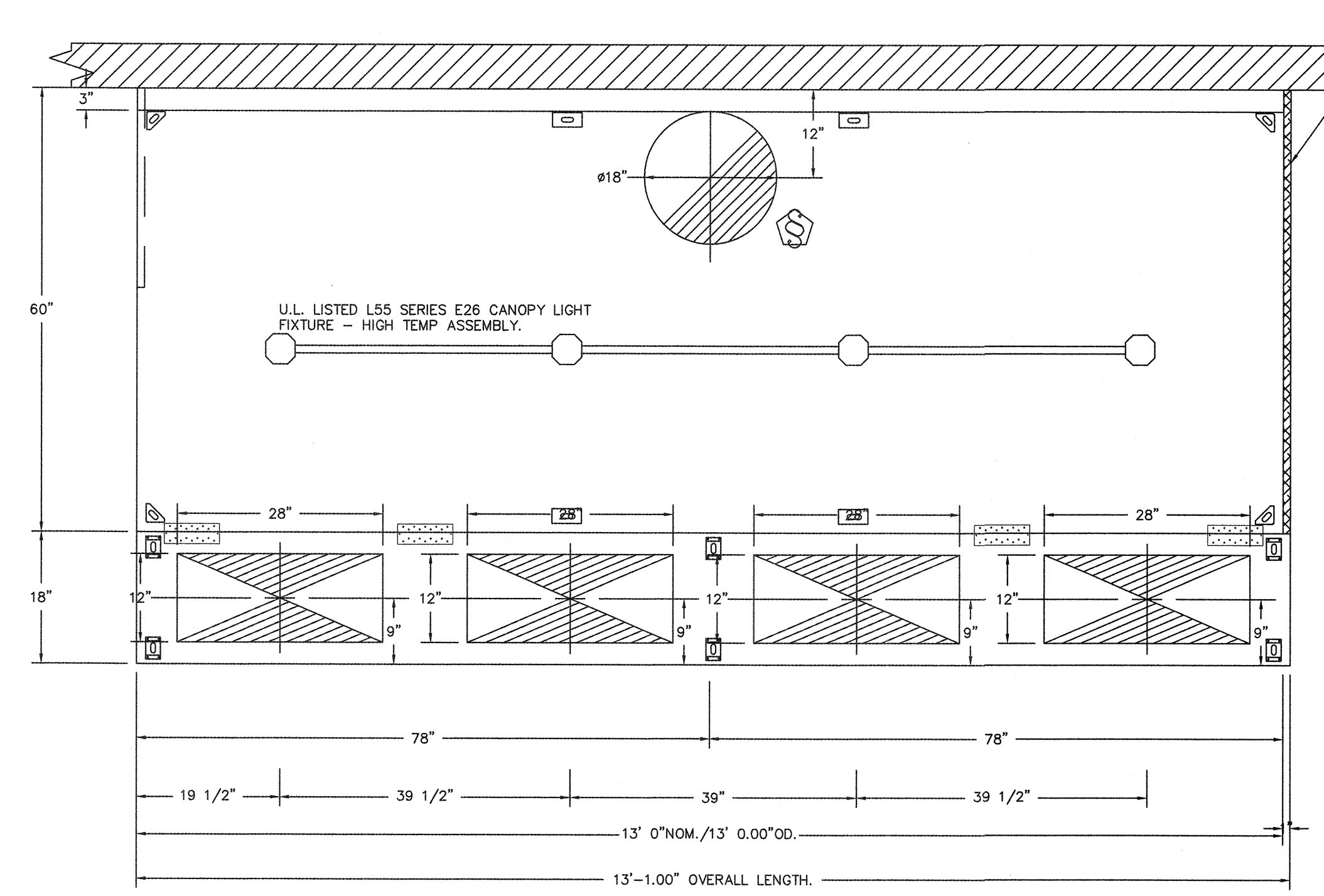
**Lin's Grand Buffet - Casa Grande**  
 CASA GRANDE, AZ, 85193

**DATE:** 1/18/2021  
**DWG.#:** 4685901  
**DRAWN BY:** kelly.ryan  
**SCALE:** 3/4" = 1'-0"  
**MASTER DRAWING**

**SHEET NO.**  
 2

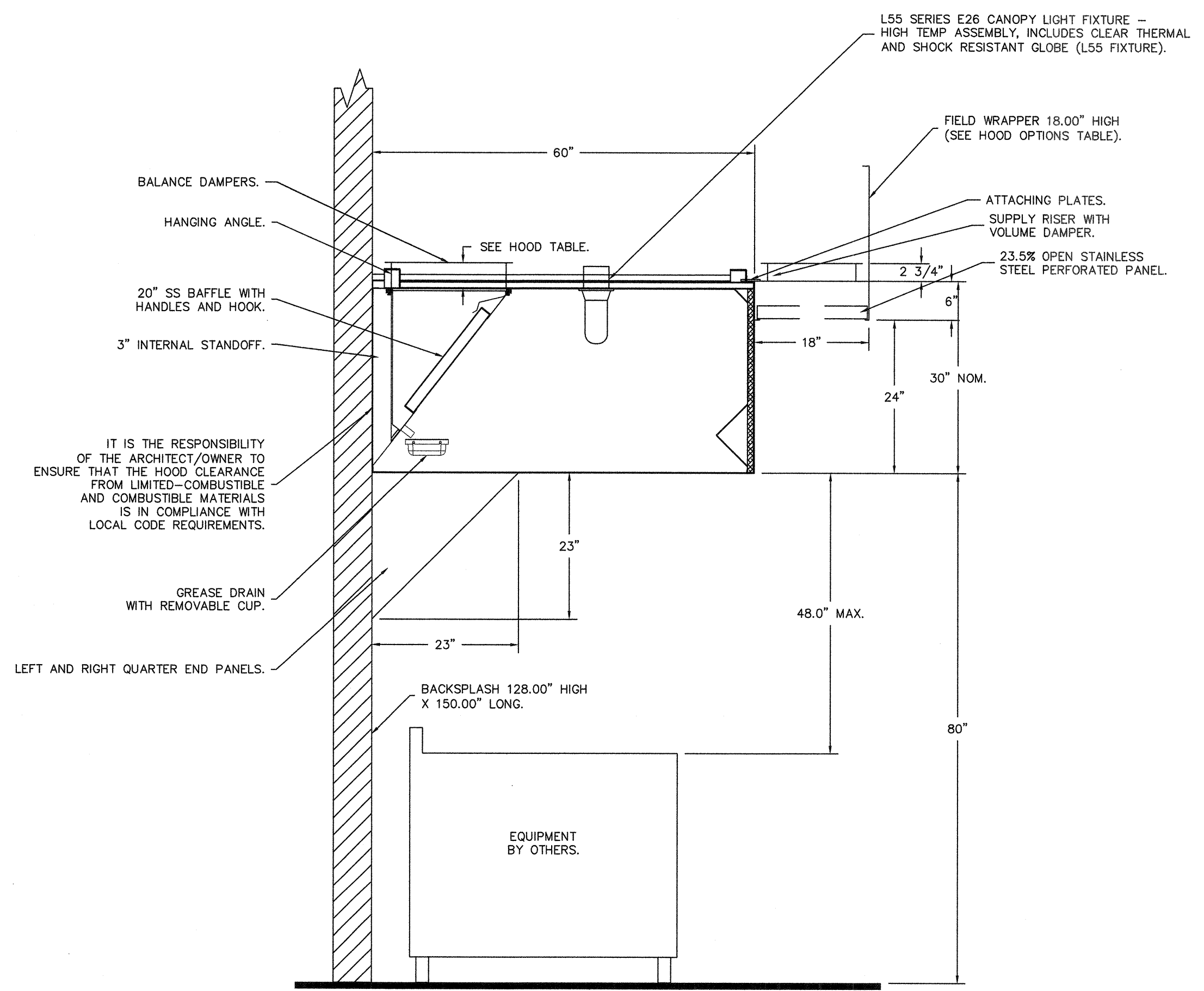


**PLAN VIEW - HOOD #1 (Small WOK)**  
 11' 6.00" LONG 6030ND-2-PSP-F

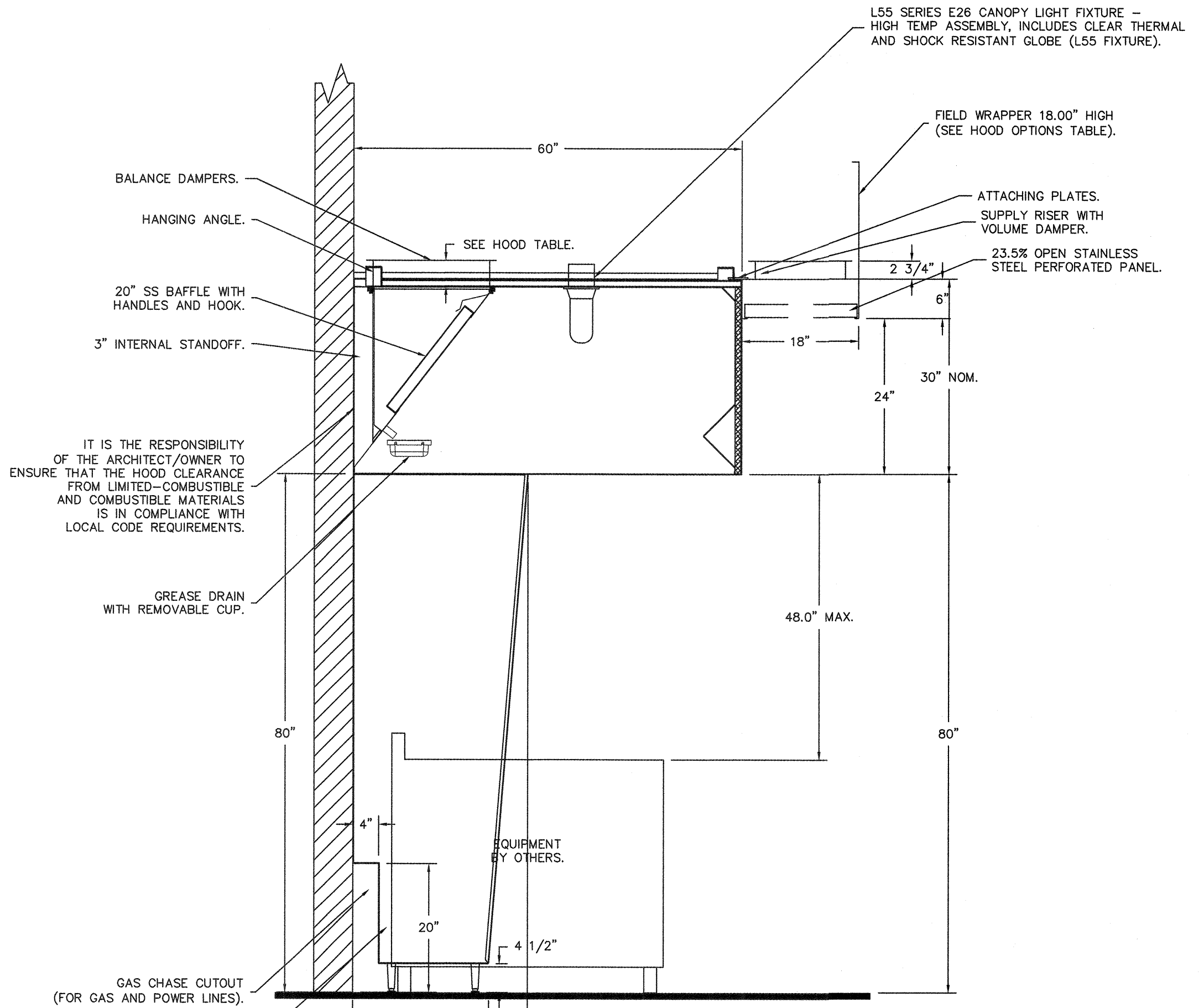


**PLAN VIEW - HOOD #2 (Large WOK)**  
 13' 0.00" LONG 6030ND-2-PSP-F  
 NOTE: ADDITIONAL HANGING ANGLES PROVIDED FOR HOODS 12' AND LONGER.

1" LAYER OF INSULATION FACTORY INSTALLED IN 1.00' END STANDOFF MEETS 0" REQUIREMENTS CLEARANCE TO COMBUSTIBLE SURFACES.



**SECTION VIEW - MODEL 6030ND-2-PSP-F**  
 HOOD - #1 (Small WOK)

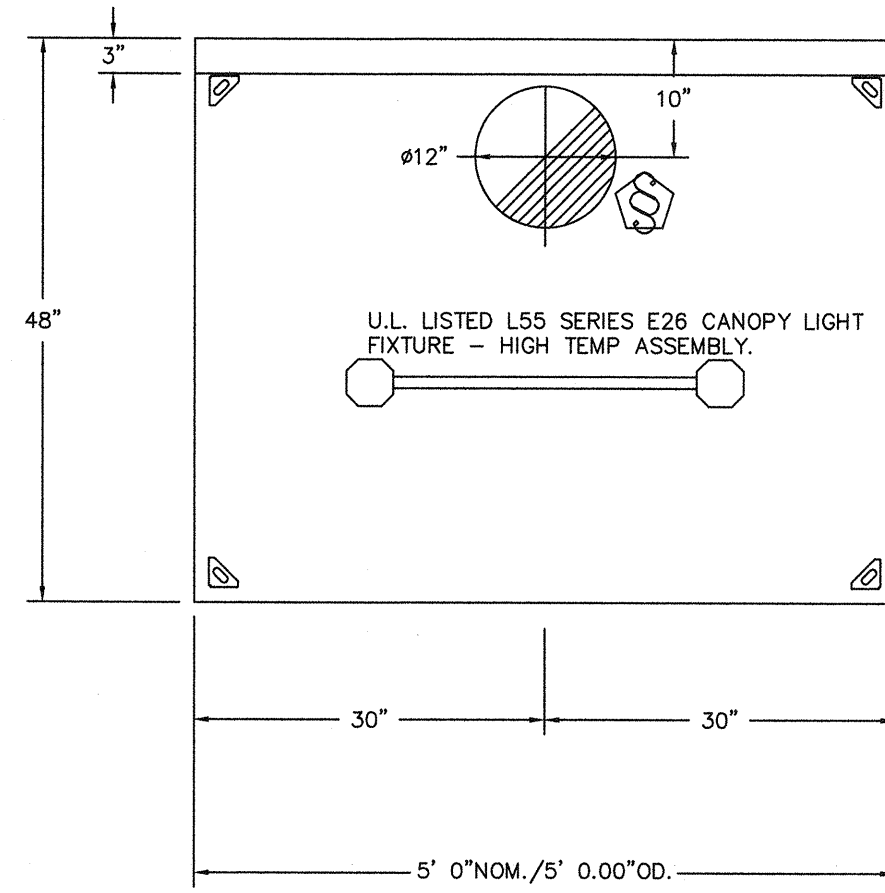


**SECTION VIEW - MODEL 6030ND-2-PSP-F**  
 HOOD - #2 (Large WOK)

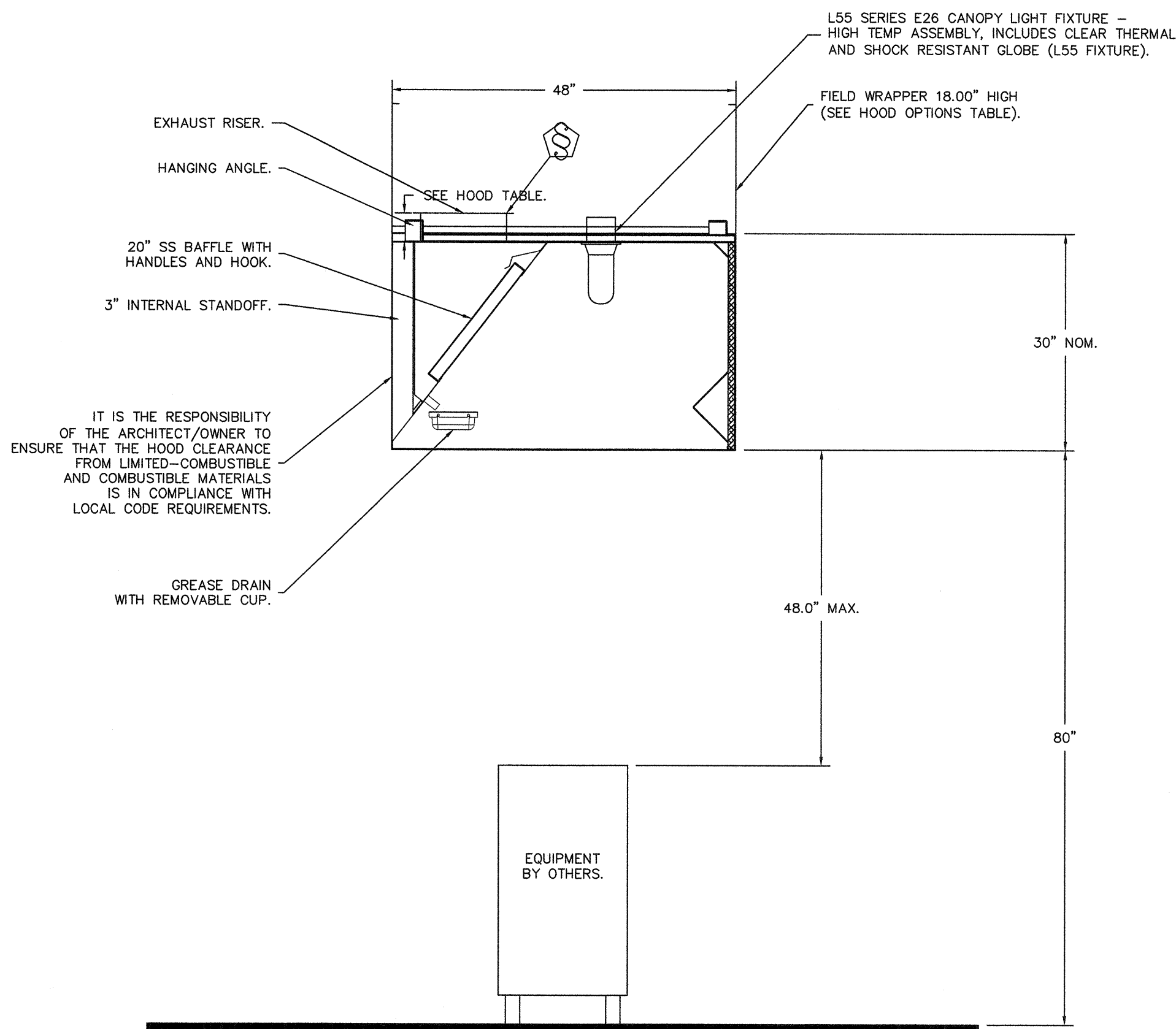
THIS DRAWING IS AN INSTRUMENT OF DESIGN SERVICE AND IS THE INTELLECTUAL PROPERTY OF AZ RESTAURANT CONSULTING. THIS PROPERTY MAY NOT BE REALLOCATED IN ANY FORM, BY ANY OTHER ENTITY, FOR ANY PURPOSE WITHOUT WRITTEN PERMISSION FROM AZ RESTAURANT CONSULTING, UNDER PENALTY OF LAW. THIS DRAWING IS THE CULMINATION OF CONTRACTED TIME BETWEEN OUR EXPERIENCED DESIGN CONSULTANT AND THE "OWNER"/"OWNER'S REPRESENTATIVE" WHICH REFLECTS THE JOINT OPINION OF BOTH PARTIES. THE LAYOUT(S) ABOVE ARE INTENDED TO PRESENT THE MOST EFFICIENT AND EFFECTIVE USE OF THE SPACE PROVIDED, ACCORDING TO INFORMATION UNDERSTOOD BY ALL PARTIES AT THE ORIGINAL DATE OR MOST RECENT REVISION DATE SHOWN ON THIS DRAWING. DEVIATION FROM THE DETAILS ABOVE ARE NOT THE RESPONSIBILITY OF AZ RESTAURANT CONSULTING.

<b>AZ ARC</b> <b>ARIZONA</b> RESTAURANT CONSULTING 7920 E. OAK STREET, SUITE 100, SCOTTSDALE, ARIZONA 85257 (602) 998-0909 JUSTIN@AZRESTAURANTCONSULTING.COM	<b>ARCHITECT</b> <b>WINTON ARCHITECTS, INC</b> 1110 E. MISSOURI AVENUE #800 PHOENIX, ARIZONA 85014 (602) 230-2740	<b>STATUS</b> - - - - -	
	<b>REVISIONS</b> A B C D E	<b>REV.</b> A B C D E	<b>DATE</b> - - - - -
	<b>ARCHITECT</b> <b>WINTON ARCHITECTS, INC</b> 1110 E. MISSOURI AVENUE #800 PHOENIX, ARIZONA 85014 (602) 230-2740	<b>REV.</b> A B C D E	<b>DATE</b> - - - - -
	<b>ARCHITECT</b> <b>WINTON ARCHITECTS, INC</b> 1110 E. MISSOURI AVENUE #800 PHOENIX, ARIZONA 85014 (602) 230-2740	<b>REV.</b> A B C D E	<b>DATE</b> - - - - -
	<b>ARCHITECT</b> <b>WINTON ARCHITECTS, INC</b> 1110 E. MISSOURI AVENUE #800 PHOENIX, ARIZONA 85014 (602) 230-2740	<b>REV.</b> A B C D E	<b>DATE</b> - - - - -

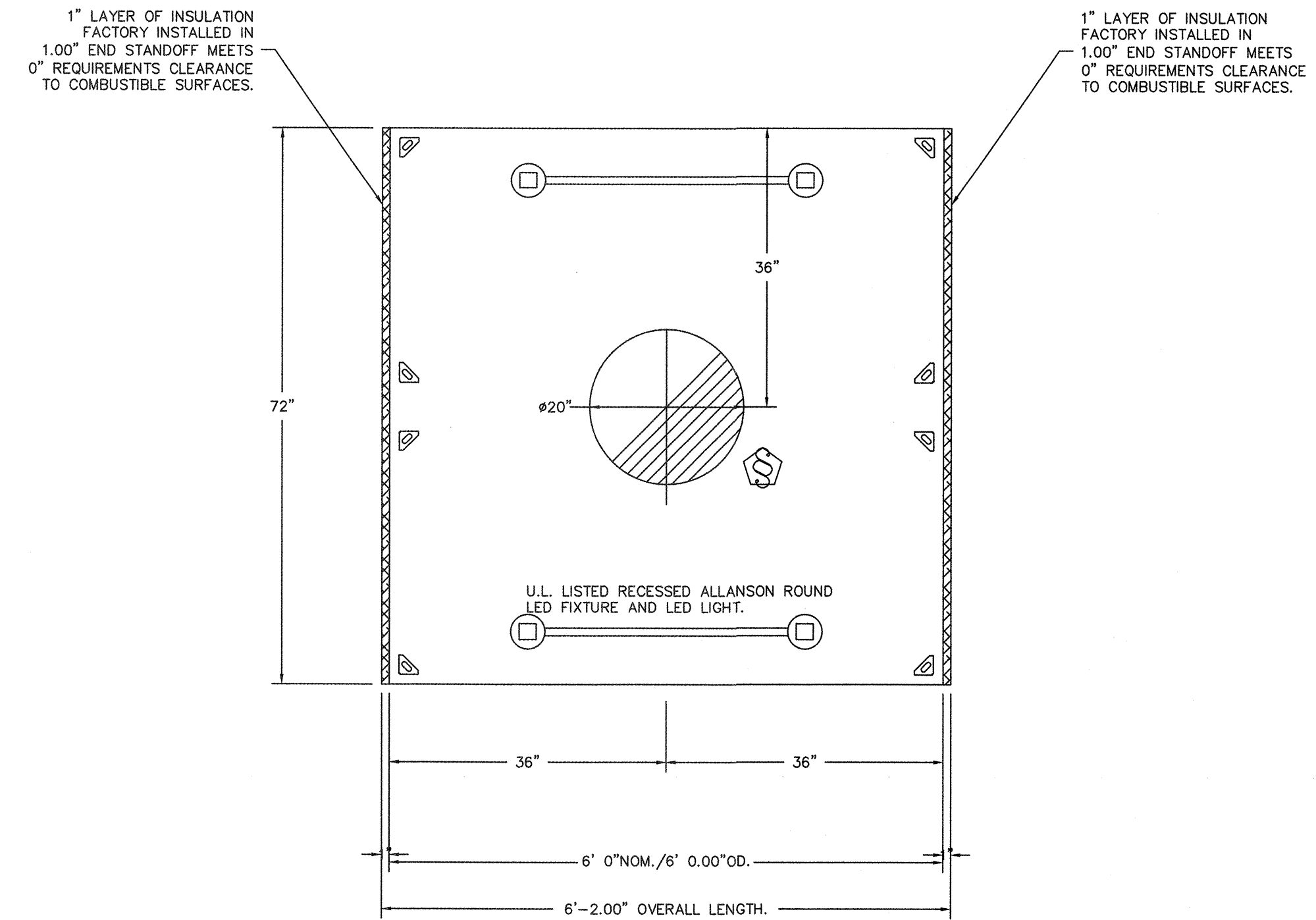
FS-4.2



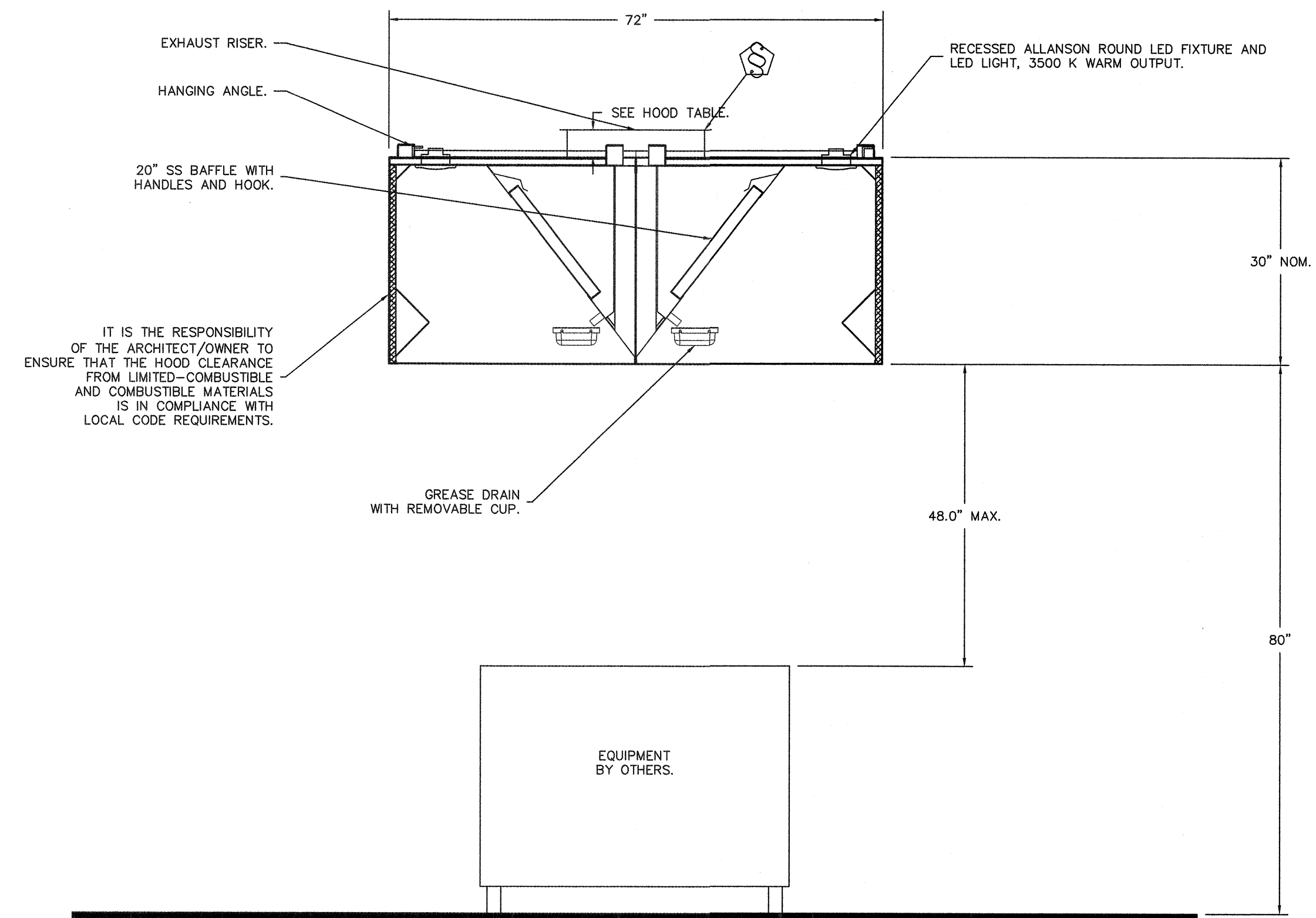
PLAN VIEW - HOOD #3 (Grill)  
5'-0.00" LONG 48.30ND-2



SECTION VIEW - MODEL 4830ND-2  
HOOD - #3 (Grill)



PLAN VIEW - HOOD #4 (Mongolian)  
6'-0.00" LONG 72.30ND1



SECTION VIEW - MODEL 7230ND1  
HOOD - #4 (Mongolian)

REVISIONS	
DESCRIPTION	DATE

**CAPTIVE**  
Arizona Office  
1717 E. Bell Road, SUITE 12, Phoenix, AZ, 85022 PHONE: (480) 926-6810 FAX: (877) 719-2227 EMAIL: reg93@captiveaire.com

Lin's Grand Buffet - Casa Grande  
CASA GRANDE, AZ, 85193

DATE: 1/18/2021  
DWG.#: 4685901  
DRAWN BY: kelly.ryan  
SCALE: 3/4" = 1'-0"  
MASTER DRAWING

SHEET NO.  
3

REV.	DESCRIPTION	DATE	STATUS

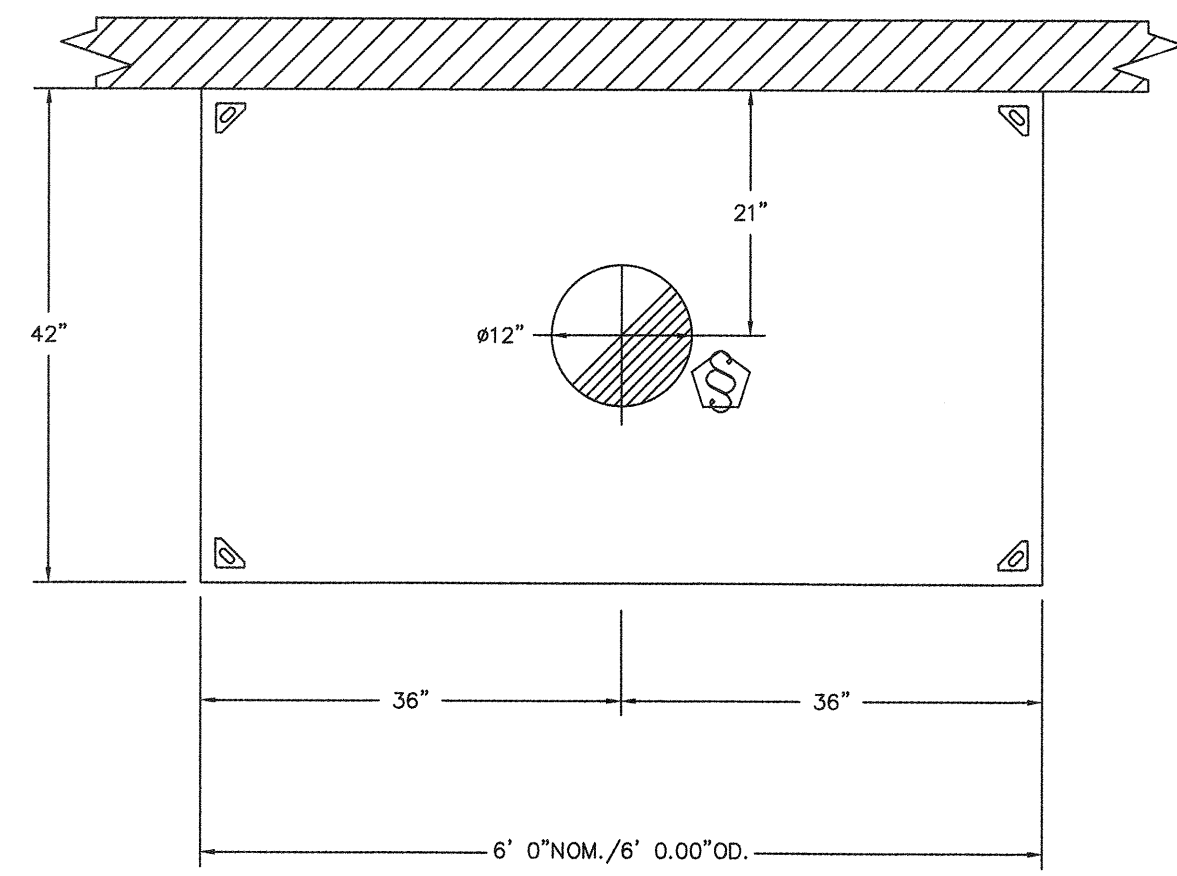
**AZ ARC**  
ARIZONA  
RESTAURANT CONSULTING  
7920 E. OAK STREET, SUITE 300, SCOTTSDALE, ARIZONA 85257  
JUSTIN@AZRESTAURANTCONSULTING.COM

**LIN'S GRAND BUFFET**  
CASA GRANDE, ARIZONA  
MECHANICAL SPECIFICATIONS

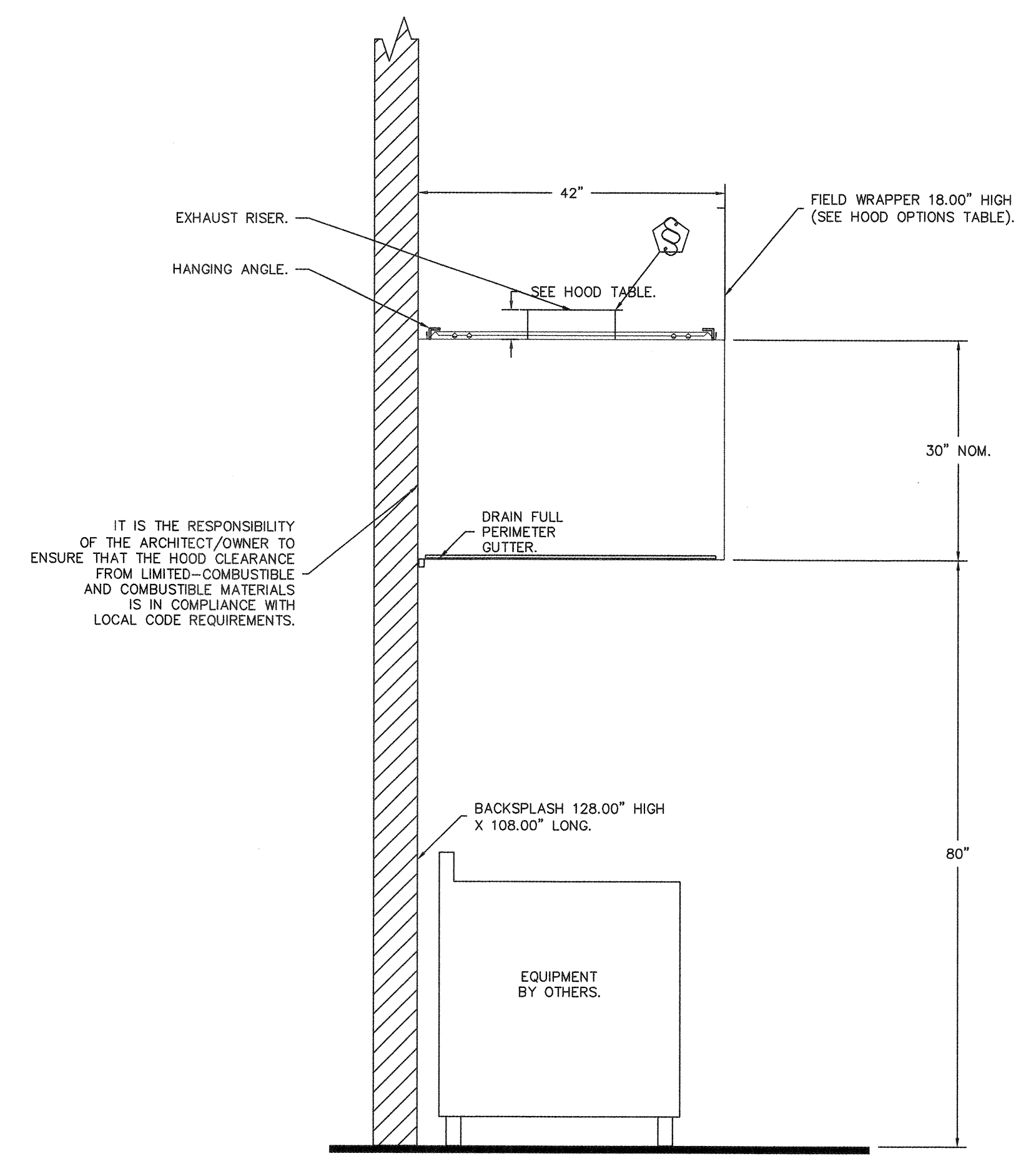
Drawn by: TM  
Checked by: JBM  
Date: 2/3/2021  
Sheet Number:

FS-4.3

THIS DRAWING IS AN INSTRUMENT OF DESIGN SERVICE AND IS THE INTELLECTUAL PROPERTY OF AZ RESTAURANT CONSULTING. THIS PROPERTY MAY NOT BE REALLOCATED IN ANY FORM, BY ANY OTHER ENTITY, FOR ANY PURPOSE WITHOUT WRITTEN PERMISSION FROM AZ RESTAURANT CONSULTING, UNDER PENALTY OF LAW. THIS DRAWING IS THE CULMINATION OF CONTRACTED TIME BETWEEN OUR EXPERIENCED DESIGN CONSULTANT AND THE "OWNER"/"OWNER'S REPRESENTATIVE" WHICH REFLECTS THE JOINT OPINION OF BOTH PARTIES. THE LAYOUT(S) ABOVE ARE INTENDED TO PRESENT THE MOST EFFICIENT AND EFFECTIVE USE OF THE SPACE PROVIDED, ACCORDING TO INFORMATION UNDERSTOOD BY ALL PARTIES AT THE ORIGINAL DATE OR MOST RECENT REVISION DATE SHOWN ON THIS DRAWING. DEVIATION FROM THE DETAILS ABOVE ARE NOT THE RESPONSIBILITY OF AZ RESTAURANT CONSULTING.



PLAN VIEW - HOOD #5 (Dish)  
6'-0.00" LONG 4230VHB-G



SECTION VIEW - MODEL 4230VHB-G  
HOOD - #5 (Dish)

REVISIONS	
DESCRIPTION	DATE

www.captiveare.com  
Arizona Office  
1717 E. Bell Road, SUITE 12, Phoenix, AZ, 85022 PHONE: (480) 926-6810 FAX: (877) 719-2227 EMAIL: reg93@captiveare.com

Lin's Grand Buffet - Casa Grande  
CASA GRANDE, AZ, 85193

DATE: 1/18/2021  
DWG.#: 4685901  
DRAWN BY: kelly.ryan  
SCALE: 3/4" = 1'-0"  
MASTER DRAWING

SHEET NO.  
4

REV.	ARCHITECT	STATUS

<b>WINTON ARCHITECTS, INC</b> 1110 E. MISSOURI AVENUE #800 PHOENIX, ARIZONA 85014 (602) 230-2740
<b>AZ ARC</b> <b>ARIZONA</b> RESTAURANT CONSULTING 7920 E. OAK STREET SUITE 100 SCOTTSDALE, ARIZONA 85257 JUSTIN@AZRESTAURANTCONSULTING.COM
<b>LIN'S GRAND BUFFET</b> CASA GRANDE, ARIZONA MECHANICAL SPECIFICATIONS
Drawn by: <b>TM</b> Checked by: <b>JBM</b> Date: <b>2/3/2021</b> Sheet Number:
<b>FS-4.4</b>

THIS DRAWING IS AN INSTRUMENT OF DESIGN SERVICE AND IS THE INTELLECTUAL PROPERTY OF AZ RESTAURANT CONSULTING. THIS PROPERTY MAY NOT BE REALLOCATED IN ANY FORM, BY ANY OTHER ENTITY, FOR ANY PURPOSE WITHOUT WRITTEN PERMISSION FROM AZ RESTAURANT CONSULTING, UNDER PENALTY OF LAW. THIS DRAWING IS THE CULMINATION OF CONTRACTED TIME BETWEEN OUR EXPERIENCED DESIGN CONSULTANT AND THE "OWNER"/"OWNER'S REPRESENTATIVE" WHICH REFLECTS THE JOINT OPINION OF BOTH PARTIES. THE LAYOUT(S) ABOVE ARE INTENDED TO PRESENT THE MOST EFFICIENT AND EFFECTIVE USE OF THE SPACE PROVIDED, ACCORDING TO INFORMATION UNDERSTOOD BY ALL PARTIES AT THE ORIGINAL DATE OR MOST RECENT REVISION DATE SHOWN ON THIS DRAWING. DEVIATION FROM THE DETAILS ABOVE ARE NOT THE RESPONSIBILITY OF AZ RESTAURANT CONSULTING.

**EXHAUST FAN INFORMATION - JOB#4685901**

FAN UNIT NO	TAG	QTY	FAN UNIT MODEL #	MANUFACTURER	CFM	ESP	RPM	MOTOR ENCL	HP	BHP	φ	VOLT	FLA	DISCHARGE VELOCITY	WEIGHT (LBS)	SONES
1	KEF-1	1	DU180HFA	CAPTIVEAIRE	3450	1.000	1278	ODP,PREMIUM	2.000	1.4180	3	208	8.3	797 FPM	185	20
2	KEF-1	1	DU180HFA	CAPTIVEAIRE	3900	1.100	1401	ODP,PREMIUM	3.000	1.8640	3	208	9.5	901 FPM	186	23
4	KEF-3	1	DU85HFA	CAPTIVEAIRE	1500	1.000	1298	ODP	0.750	0.3750	3	208	2.6	475 FPM	99	11.7
5	KEF-4	1	DU180HFA	CAPTIVEAIRE	3000	1.400	1299	ODP,PREMIUM	3.000	1.4870	3	208	9.5	693 FPM	186	19.2
7	KEF-5	1	DU50HFA	CAPTIVEAIRE	1050	0.400	1427	TEAO-ECM	0.500	0.2840	1	115	6.3	399 FPM	74	14.5

**MUA FAN INFORMATION - JOB#4685901**

FAN UNIT NO	TAG	QTY	FAN UNIT MODEL #	BLOWER	HOUSING	MIN CFM	DESIGN CFM	ESP	RPM	MOTOR ENCL	HP	BHP	φ	VOLT	FLA	MCA	MOCP	EVAP FLOW RATE (Gal/Hr)	EVAP COOLER ENTERING DB TEMP	EVAP COOLER ENTERING WB TEMP	EVAP COOLER LEAVING DB TEMP	EVAP COOLER LEAVING WB TEMP	WEIGHT (LBS)	SONES
3	MUA-1	1	A3-24D	24MF-3-MOD	A3	3000	5818	0.500	1269	ODP,PREMIUM	5.000	3.7210	3	208	15.8	19.8A	35A	5.14	107.0°F	69.0°F	86.0°F	69.0°F	1063	19.6
6	MUA-2	1	A2-20D	20MF-2-MOD	A2	2000	3600	0.400	1358	ODP,PREMIUM	1.500	1.3060	3	208	6.6	8.3A	15A	5.11	107.0°F	69.0°F	85.0°F	69.0°F	647	16.2

\*Evap Flow Rate is variable based on water pressure.

**FAN OPTIONS**

FAN UNIT NO	TAG	QTY	DESCRIPTION
1	KEF-1	1	GREASE BOX.
			FAN BASE CERAMIC SEAL - INSTALLED AT PLANT - FOR GREASE DUCTS.
2	KEF-1	1	GREASE BOX.
			FAN BASE CERAMIC SEAL - INSTALLED AT PLANT - FOR GREASE DUCTS.
3	MUA-1	1	EVAPORATIVE COOLER WIRING HARNESS.
			SEPARATE 120V WIRING PACKAGE (REQUIRED AND USED ONLY FOR DCV OR PREWIRE WITH VFD) - THREE PHASE ONLY.
4	KEF-3	1	GREASE BOX.
			FAN BASE CERAMIC SEAL - INSTALLED AT PLANT - FOR GREASE DUCTS.
5	KEF-4	1	GREASE BOX.
			FAN BASE CERAMIC SEAL - INSTALLED AT PLANT - FOR GREASE DUCTS.
6	MUA-2	1	EVAPORATIVE COOLER WIRING HARNESS.
			SEPARATE 120V WIRING PACKAGE (REQUIRED AND USED ONLY FOR DCV OR PREWIRE WITH VFD) - THREE PHASE ONLY.
7	KEF-5	1	ECM WIRING PACKAGE - EXHAUST - MANUAL OR 0-10VDC REFERENCE SPEED CONTROL -MSC-(TELCO), CCW ROTATION.
			1 15-BDD DAMPER.

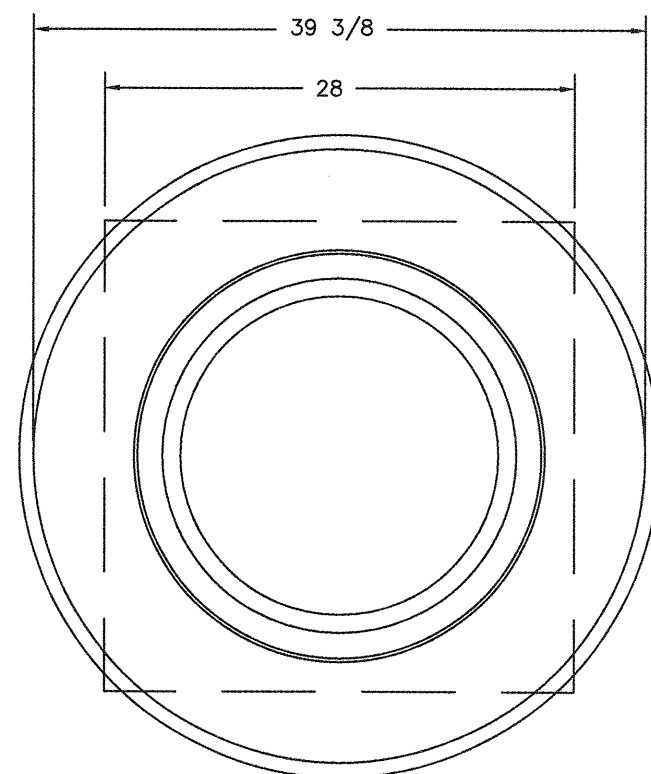
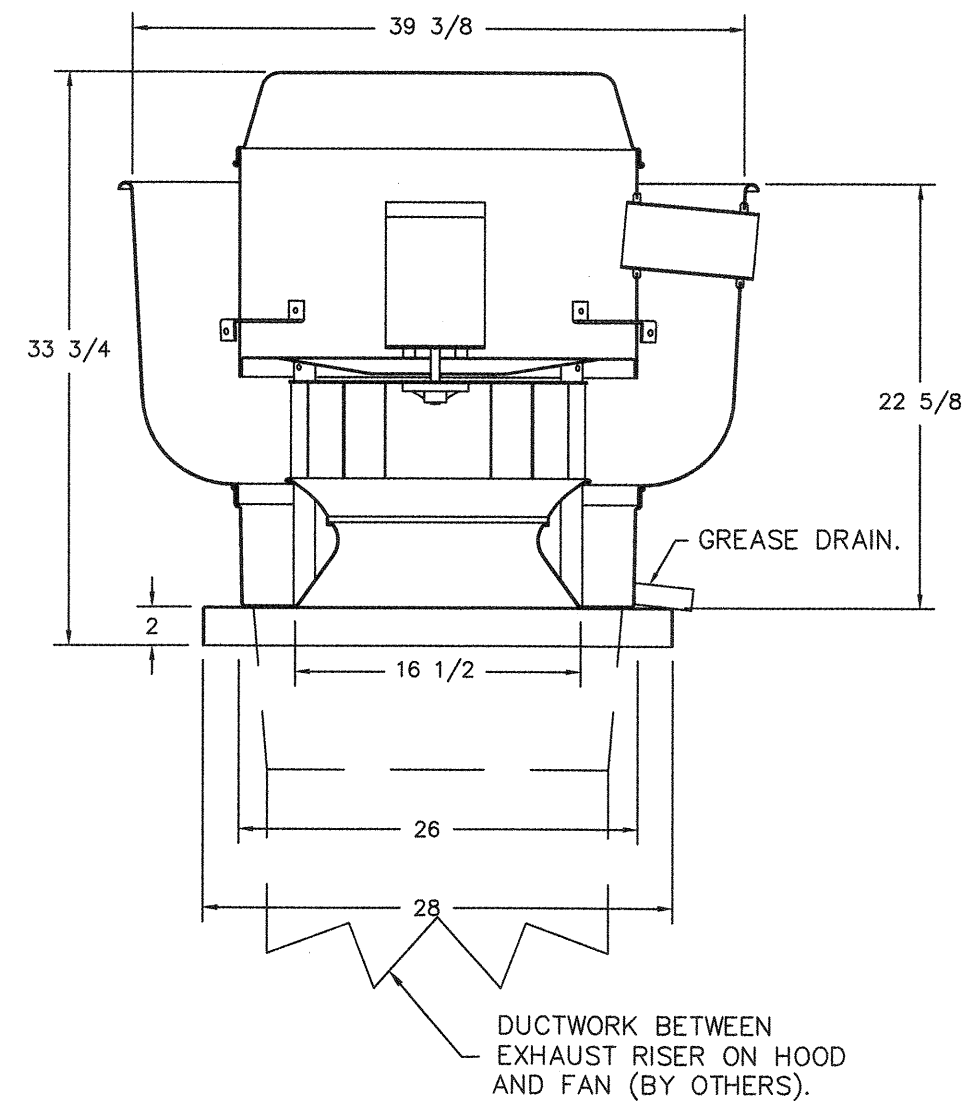
**FAN ACCESSORIES**

FAN UNIT NO	TAG	EXHAUST				SUPPLY		
		GREASE CUP	GRAVITY DAMPER	WALL MOUNT	SIDE DISCHARGE	GRAVITY DAMPER	MOTORIZED DAMPER	WALL MOUNT
1	KEF-1	YES						
2	KEF-1	YES						
3	MUA-1							
4	KEF-3	YES						
5	KEF-4	YES						
6	MUA-2							
7	KEF-5		YES					

**CURB ASSEMBLIES**

NO	ON FAN	TAG	WEIGHT	ITEM	SIZE
1	# 1	KEF-1	41 LBS	CURB	26.500"W X 26.500"L X 20.000"H VENTED HINGED.
2	# 2	KEF-1	41 LBS	CURB	26.500"W X 26.500"L X 20.000"H VENTED HINGED.
3	# 3	MUA-1	42 LBS	CURB	35.000"W X 35.000"L X 15.000"H .
	# 3			RAIL	4.000"W X 4.000"L X 36.000"H.
4	# 4	KEF-3	32 LBS	CURB	23.000"W X 23.000"L X 20.000"H VENTED.
5	# 5	KEF-4	41 LBS	CURB	26.500"W X 26.500"L X 20.000"H VENTED HINGED.
6	# 6	MUA-2	52 LBS	CURB	31.000"W X 31.000"L X 15.000"H .
	# 6			RAIL	4.000"W X 4.000"L X 36.000"H.
7	# 7	KEF-5	27 LBS	CURB	19.500"W X 19.500"L X 20.000"H VENTED.

FANS #1 (KEF-1), #2 (KEF-1), #5 (KEF-4) - DU180HFA EXHAUST FAN



TOP VIEW

**FEATURES:**

- DIRECT DRIVE CONSTRUCTION (NO BELTS/PULLEYS).
- ROOF MOUNTED FANS.
- RESTAURANT MODEL.
- UL705 AND UL762 AND ULC-5645
- VARIABLE SPEED CONTROL.
- INTERNAL WIRING.
- THERMAL OVERLOAD PROTECTION (SINGLE PHASE).
- HIGH HEAT OPERATION 300°F (149°C).
- GREASE CLASSIFICATION TESTING.
- NEMA 3R SAFETY DISCONNECT SWITCH.

**NORMAL TEMPERATURE TEST**

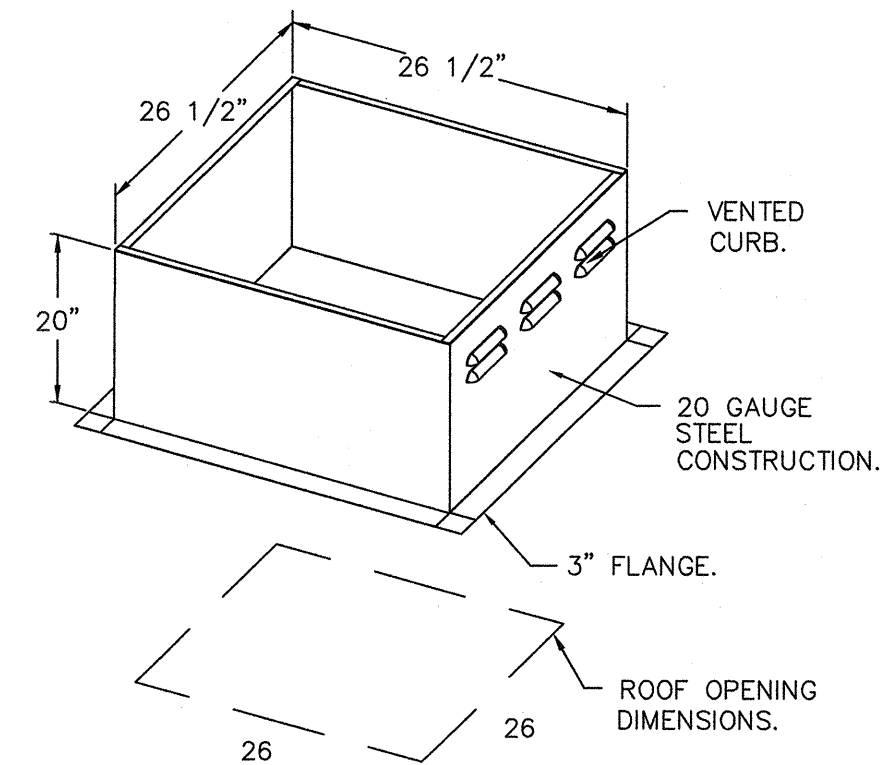
EXHAUST FAN MUST OPERATE CONTINUOUSLY WHILE EXHAUSTING AIR AT 300°F (149°C) UNTIL ALL FAN PARTS HAVE REACHED THERMAL EQUILIBRIUM, AND WITHOUT ANY DETERIORATING EFFECTS TO THE FAN WHICH WOULD CAUSE UNSAFE OPERATION.

**ABNORMAL FLARE-UP TEST**

EXHAUST FAN MUST OPERATE CONTINUOUSLY WHILE EXHAUSTING BURNING GREASE VAPORS AT 600°F (316°C) FOR A PERIOD OF 15 MINUTES WITHOUT THE FAN BECOMING DAMAGED TO ANY EXTENT THAT COULD CAUSE AN UNSAFE CONDITION.

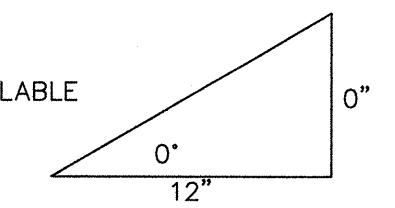
**OPTIONS**

GREASE BOX.  
FAN BASE CERAMIC SEAL - INSTALLED AT PLANT - FOR GREASE DUCTS.



PITCHED CURBS ARE AVAILABLE FOR PITCHED ROOFS.

SPECIFY PITCH:  
EXAMPLE: 7/12 PITCH = 30° SLOPE.



REVISIONS	
DESCRIPTION	DATE

Arizona Office  
1717 E. Bell Road, SUITE 12, Phoenix, AZ, 85022 PHONE: (480) 925-6810 FAX: (877) 719-2221 EMAIL: reg@303@captiveaire.com

Lin's Grand Buffet - Casa Grande  
CASA GRANDE, AZ, 85193

DATE: 1/18/2021  
DWG.#: 4685901  
DRAWN BY: kelly.ryan  
SCALE: 3/4" = 1'-0"  
MASTER DRAWING

SHEET NO. 5

REV.	DESCRIPTION	DATE	STATUS

ARCHITECT: WINTON ARCHITECTS, INC  
1110 E. MISSOURI AVENUE #800  
PHOENIX, ARIZONA 85014  
(602) 230-2740

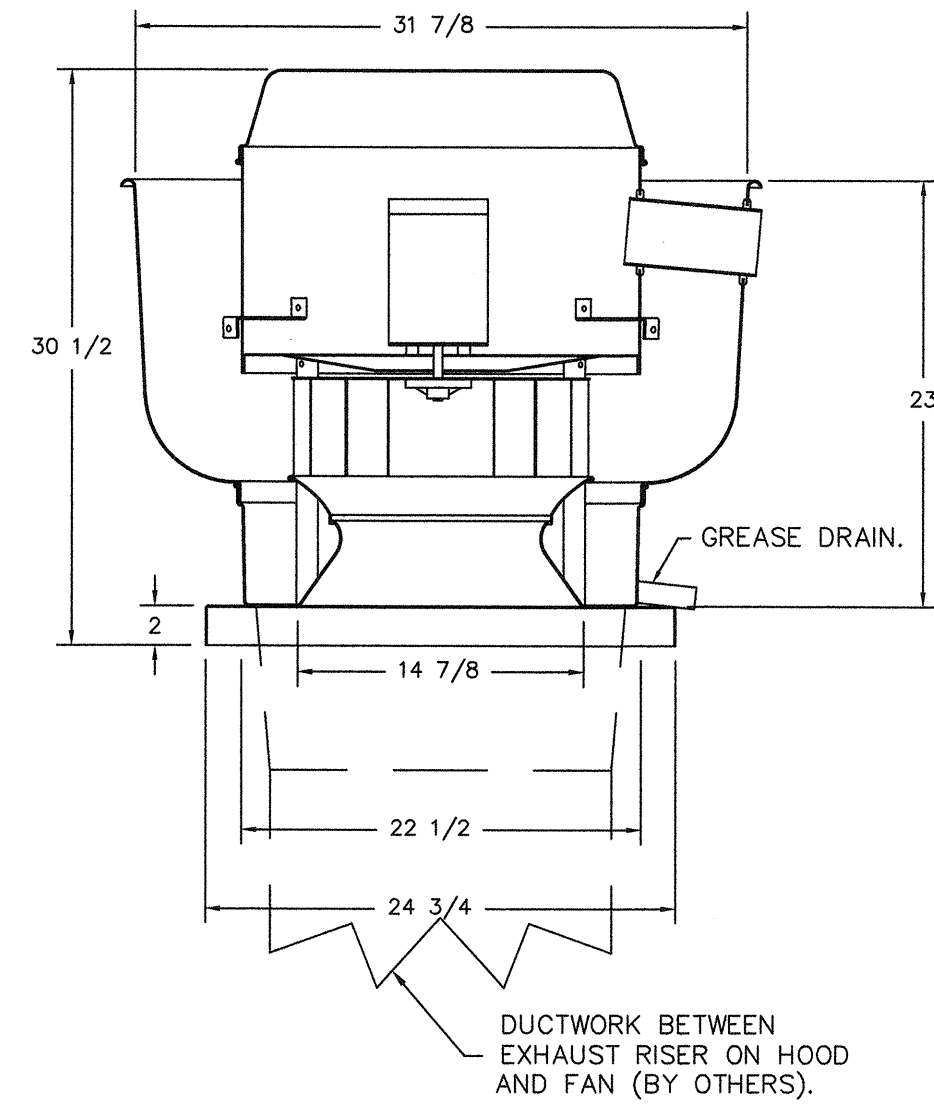
AZ ARC ARIZONA RESTAURANT CONSULTING  
7920 E. OAK STREET, SUITE 300, SCOTTSDALE, ARIZONA 85257  
JUSTIN@AZRESTAURANTCONSULTING.COM

LIN'S GRAND BUFFET  
CASA GRANDE, ARIZONA  
MECHANICAL SPECIFICATIONS

Drawn by: TM  
Checked by: JBM  
Date: 2/3/2021  
Sheet Number: FS-4.5

THIS DRAWING IS AN INSTRUMENT OF DESIGN SERVICE AND IS THE INTELLECTUAL PROPERTY OF AZ RESTAURANT CONSULTING. THIS PROPERTY MAY NOT BE REALLOCATED IN ANY FORM, BY ANY OTHER ENTITY, FOR ANY PURPOSE WITHOUT WRITTEN PERMISSION FROM AZ RESTAURANT CONSULTING, UNDER PENALTY OF LAW. THIS DRAWING IS THE CULMINATION OF CONTRACTED TIME BETWEEN OUR EXPERIENCED DESIGN CONSULTANT AND THE "OWNER"/"OWNER'S REPRESENTATIVE" WHICH REFLECTS THE JOINT OPINION OF BOTH PARTIES. THE LAYOUT(S) ABOVE ARE INTENDED TO PRESENT THE MOST EFFICIENT AND EFFECTIVE USE OF THE SPACE PROVIDED, ACCORDING TO INFORMATION UNDERSTOOD BY ALL PARTIES AT THE ORIGINAL DATE OR MOST RECENT REVISION DATE SHOWN ON THIS DRAWING. DEVIATION FROM THE DETAILS ABOVE ARE NOT THE RESPONSIBILITY OF AZ RESTAURANT CONSULTING.

FAN #4 DUBSHFA - EXHAUST FAN (KEF-3)



TOP VIEW

**FEATURES:**

- DIRECT DRIVE CONSTRUCTION (NO BELTS/PULLEYS).
- ROOF MOUNTED FANS.
- RESTAURANT MODEL.
- UL705 AND UL762 AND ULC-S645
- VARIABLE SPEED CONTROL.
- INTERNAL WIRING.
- THERMAL OVERLOAD PROTECTION (SINGLE PHASE).
- HIGH HEAT OPERATION 300°F (149°C).
- GREASE CLASSIFICATION TESTING.
- NEMA 3R SAFETY DISCONNECT SWITCH.

**NORMAL TEMPERATURE TEST**

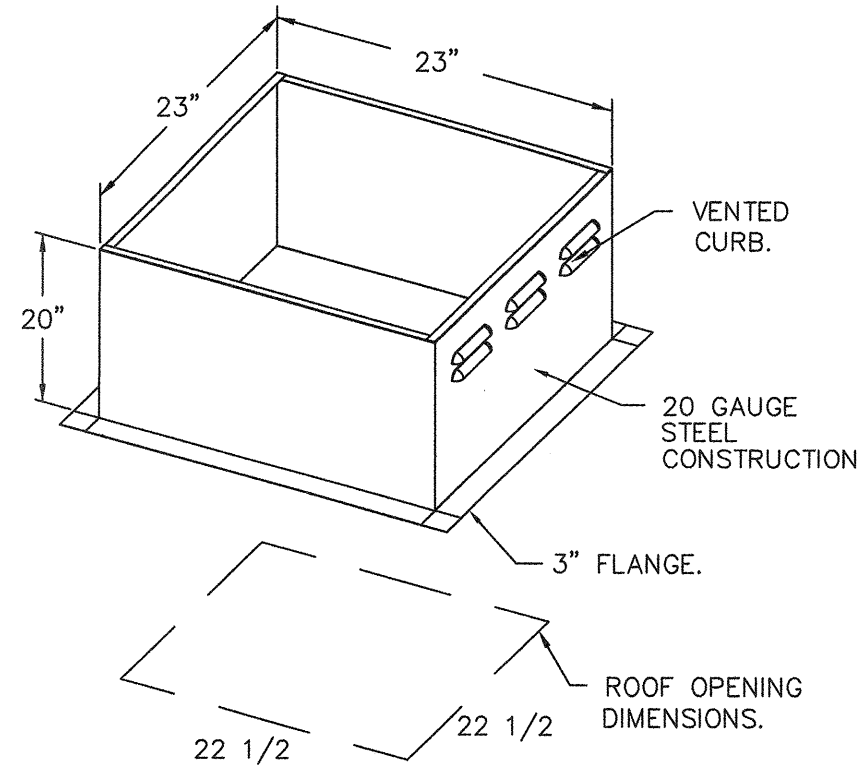
EXHAUST FAN MUST OPERATE CONTINUOUSLY WHILE EXHAUSTING AIR AT 300°F (149°C) UNTIL ALL FAN PARTS HAVE REACHED THERMAL EQUILIBRIUM, AND WITHOUT ANY DETERIORATING EFFECTS TO THE FAN WHICH WOULD CAUSE UNSAFE OPERATION.

**ABNORMAL FLARE-UP TEST**

EXHAUST FAN MUST OPERATE CONTINUOUSLY WHILE EXHAUSTING BURNING GREASE VAPORS AT 600°F (316°C) FOR A PERIOD OF 15 MINUTES WITHOUT THE FAN BECOMING DAMAGED TO ANY EXTENT THAT COULD CAUSE AN UNSAFE CONDITION.

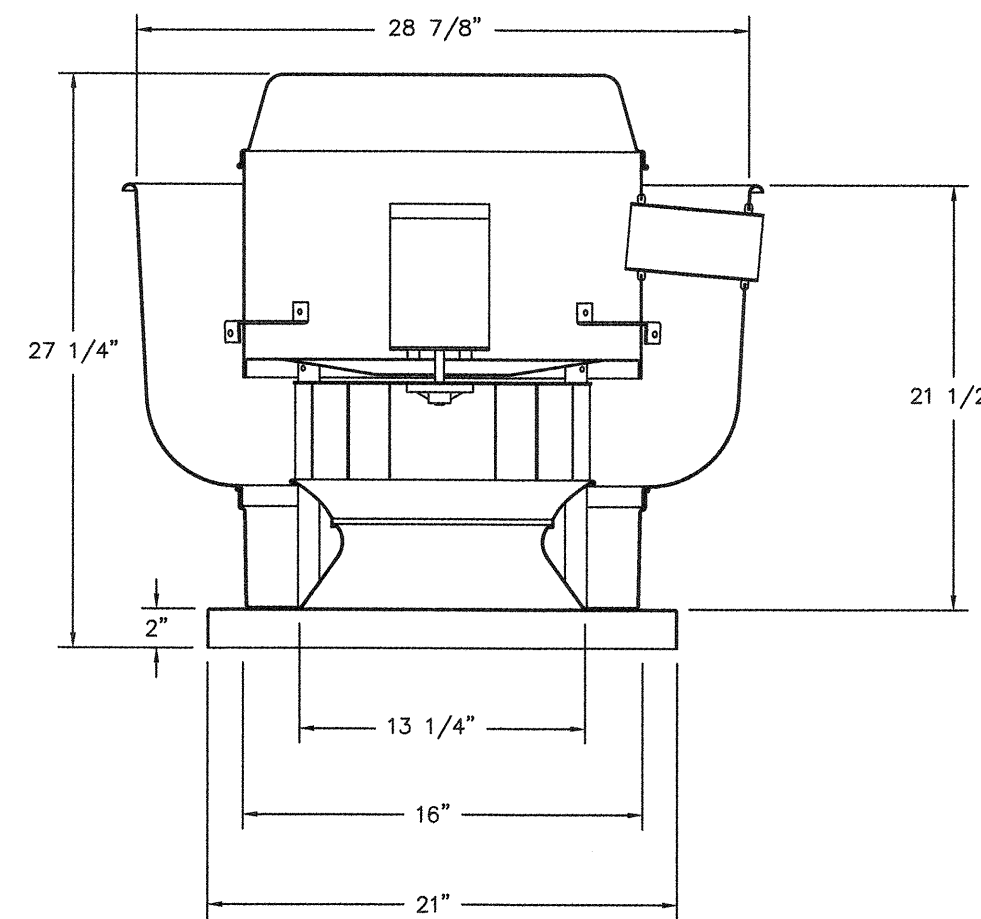
**OPTIONS**

GREASE BOX:  
FAN BASE CERAMIC SEAL - INSTALLED AT PLANT - FOR GREASE DUCTS.



PITCHED CURBS ARE AVAILABLE FOR PITCHED ROOFS.  
SPECIFY PITCH:  
EXAMPLE: 7/12 PITCH = 30° SLOPE.

FAN #7 DUBSHFA - EXHAUST FAN (KEF-5)



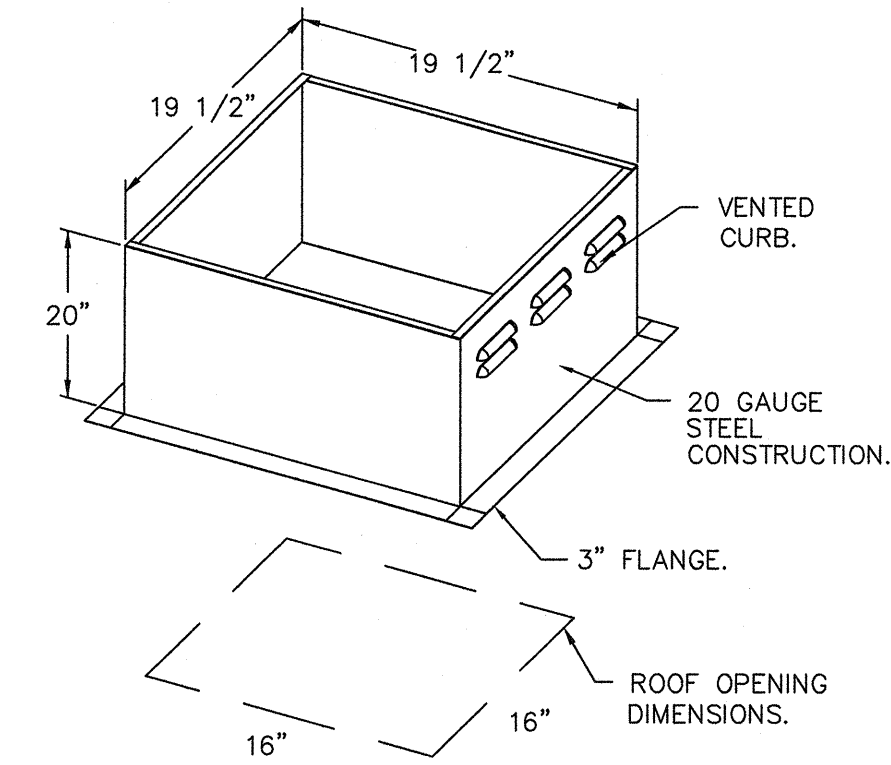
TOP VIEW

**FEATURES:**

- DIRECT DRIVE CONSTRUCTION (NO BELTS/PULLEYS).
- ROOF MOUNTED FANS.
- UL705.
- VARIABLE SPEED CONTROL.
- INTERNAL WIRING.
- THERMAL OVERLOAD PROTECTION (SINGLE PHASE).
- NEMA 3R SAFETY DISCONNECT SWITCH.

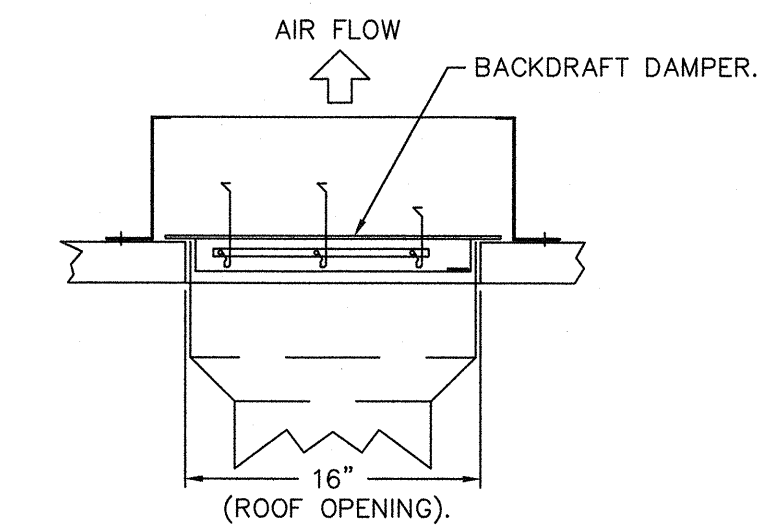
**OPTIONS**

ECM WRING PACKAGE - EXHAUST - MANUAL OR 0-10VDC REFERENCE SPEED CONTROL -MSC- (TELCO), CCW ROTATION, 15-BDD DAMPER.

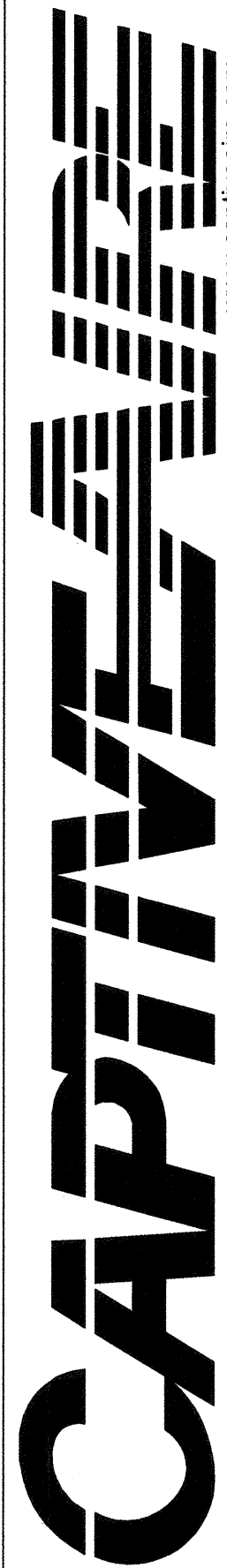


PITCHED CURBS ARE AVAILABLE FOR PITCHED ROOFS.  
SPECIFY PITCH:  
EXAMPLE: 7/12 PITCH = 30° SLOPE.

**BACKDRAFT DAMPER INSTALLATION**



REVISIONS	
DESCRIPTION	DATE



1717 E. Bell Road, SUITE 12, Phoenix, AZ 85022 PHONE: (480) 926-6810 FAX: (877) 719-2227 EMAIL: regis@capthiveare.com

Lin's Grand Buffet - Casa Grande  
CASA GRANDE, AZ, 85193

DATE: 1/18/2021

DWG.#:  
4685901

DRAWN BY:  
kelly.ryan

SCALE:  
3/4" = 1'-0"

MASTER DRAWING

SHEET NO.  
6

REV.	STATUS

ARCHITECT  
**WINTON ARCHITECTS, INC**  
1110 E. MISSOURI AVENUE #800  
PHOENIX, ARIZONA 85014  
(602) 230-2740

**AZ ARC**  
**ARIZONA**  
RESTAURANT CONSULTING  
7920 E. OAK STREET, SUITE 100, PHOENIX, ARIZONA 85027  
JUSTIN@AZRESTAURANTCONSULTING.COM

**LIN'S GRAND BUFFET**  
CASA GRANDE, ARIZONA  
MECHANICAL SPECIFICATIONS

Drawn by: TM

Checked by: JBM

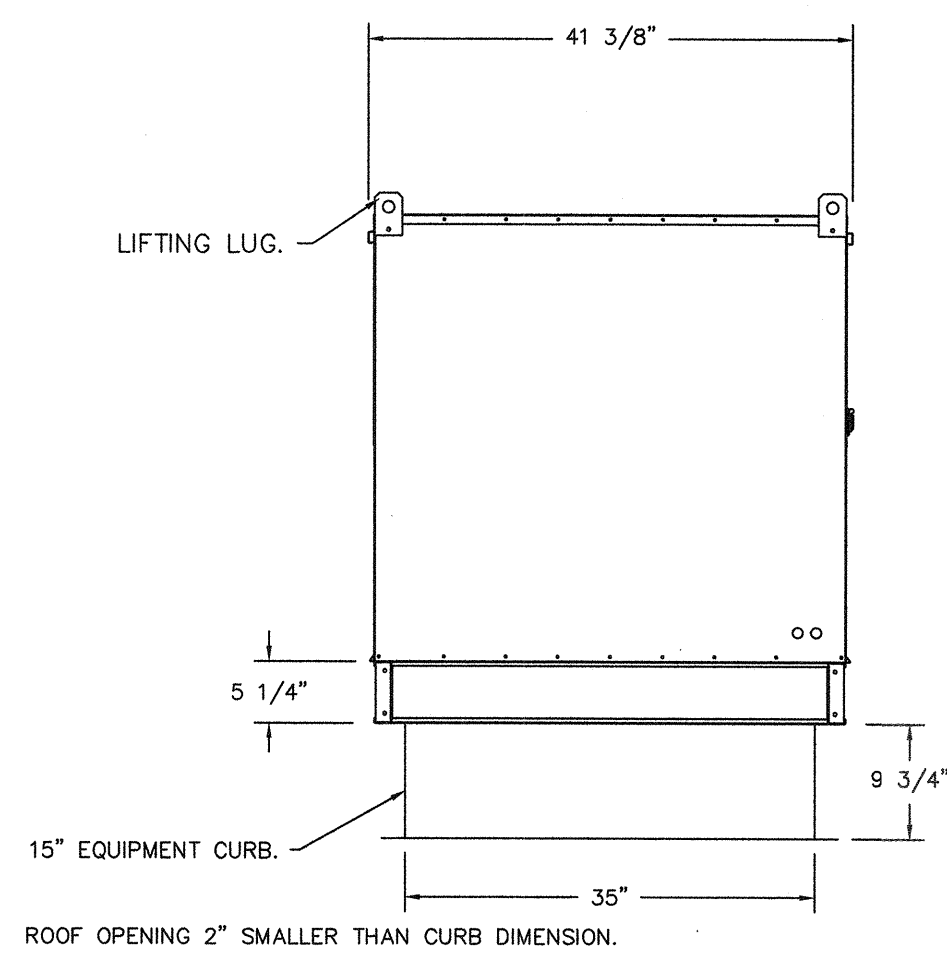
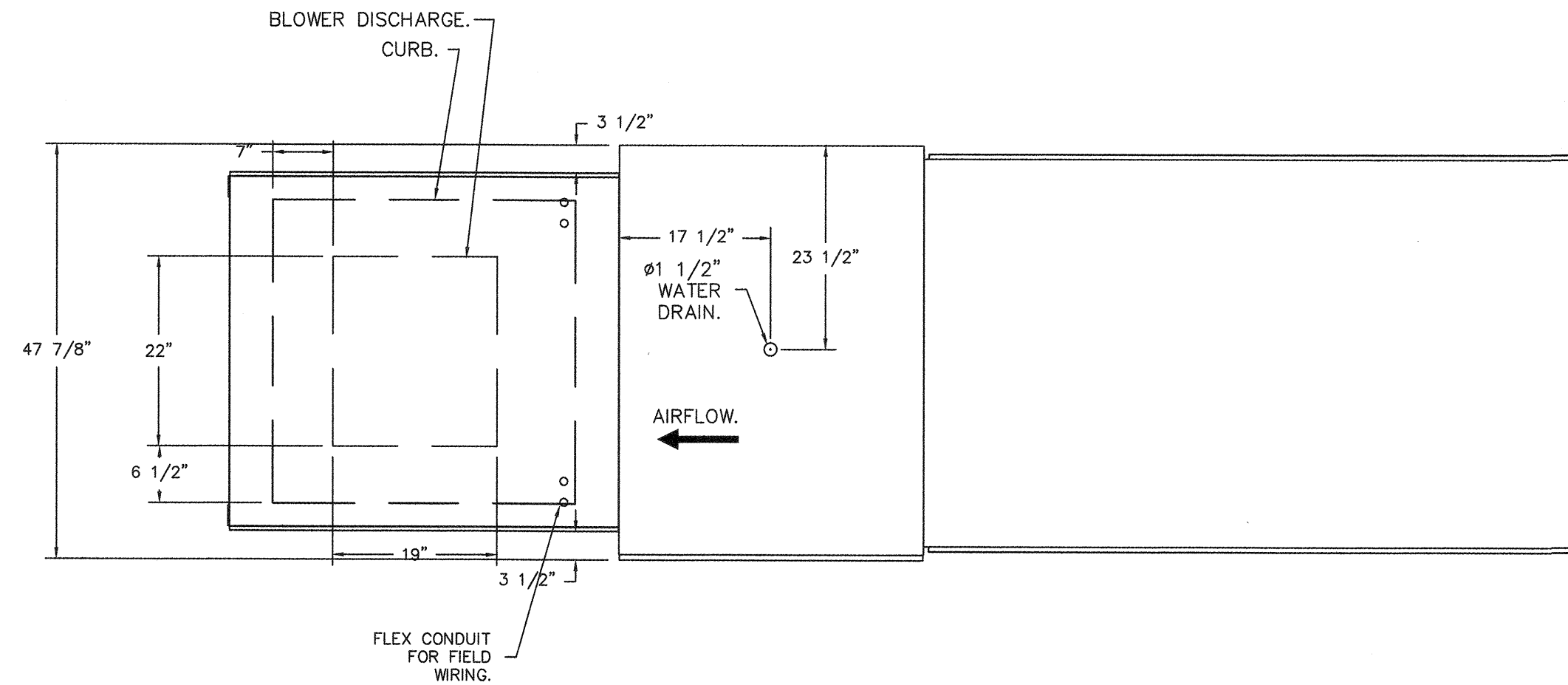
Date: 2/3/2021

Sheet Number:

FS-4.6

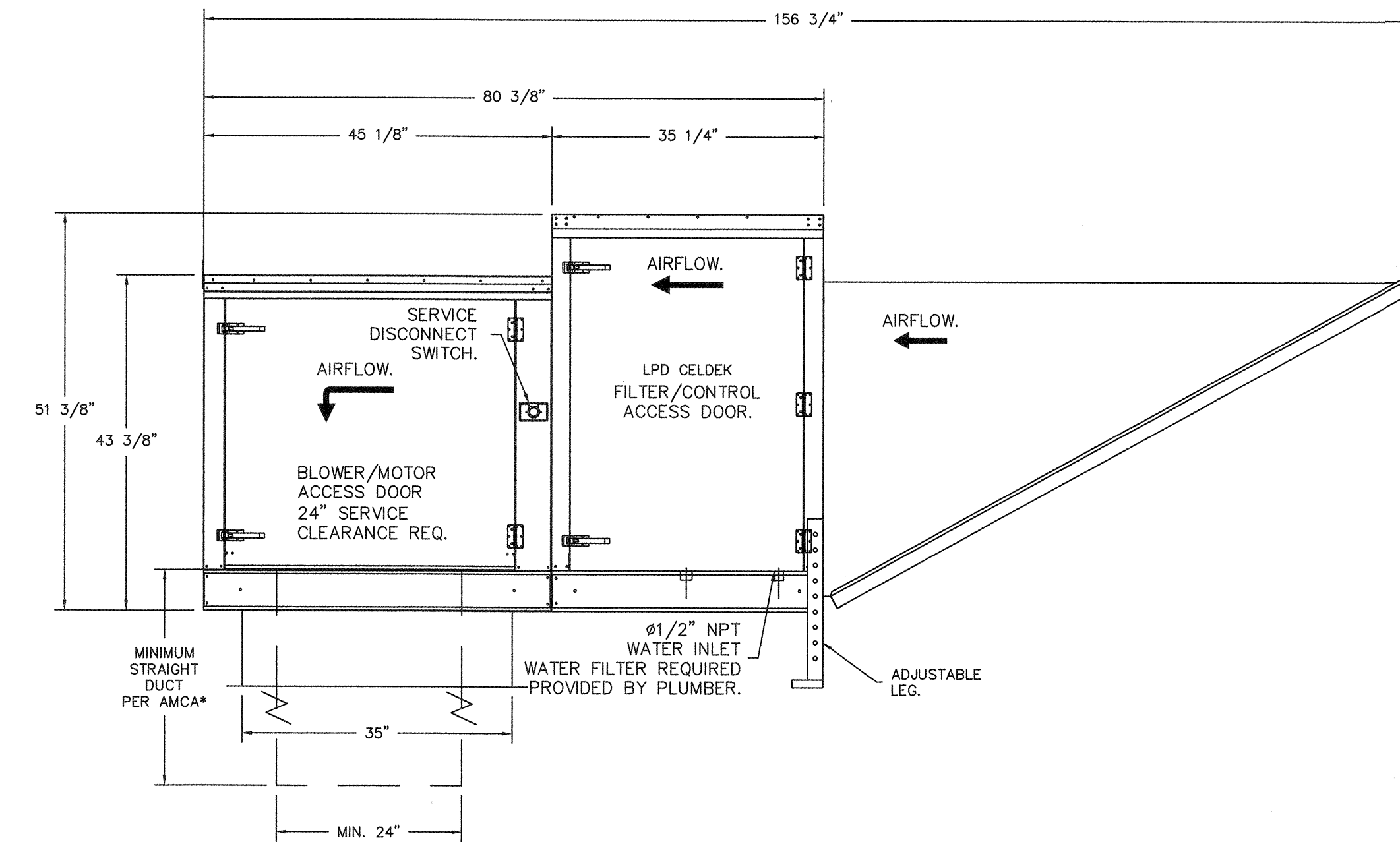
- FAN #3 A3-24D - SUPPLY FAN (MUA-1)
1. UNTEMPERED SUPPLY UNIT WITH 24" DIRECT DRIVE FAN IN SIZE #3 HOUSING.
  2. EVAP COOLER (LPD CELDEK) - W/INTAKE HOOD W/EZ FILTERS.
  3. DOWN DISCHARGE - AIR FLOW RIGHT -> LEFT.
  4. 120V WIRING CONNECTION TO ENERGIZE EVAPORATIVE COOLERS FROM UNTEMPERED SUPPLY FANS.
  5. SEPARATE 120VAC WIRING PACKAGE FOR MAKE-UP AIR UNITS. OPTION MUST BE SELECTED WHEN MOUNTING VFD IN PREWIRE PANEL OR WITH DCV PACKAGE. PROVIDES SEPARATE 120VAC INPUT TO SUPPLY FAN. THIS 120V SIGNAL MUST BE RUN BY ELECTRICIAN FROM DCV TO MUA SWITCH.
  6. HINGED DOUBLE WALL INSULATED DOOR ASSEMBLY (BURNER/BLOWER/EVAP SECTION).

\*NOTE: SUPPLY DUCT MUST BE INSTALLED TO MEET SMACNA STANDARDS. A MINIMUM STRAIGHT DUCT LENGTH MUST BE MAINTAINED DOWNSTREAM OF UNIT DISCHARGE AS OUTLINED IN AMCA PUBLICATION 201. WHEN USING RECTANGULAR DUCTWORK, ELBOWS MUST BE RADIUS THROAT, RADIUS BACK WITH TURNING VANES. FLEXIBLE DUCTWORK AND SQUARE THROAT/SQUARE BACK ELBOWS SHOULD NOT BE USED. ANY TRANSITION AND/OR TURNS IN THE DUCTWORK WILL CAUSE SYSTEM EFFECT. SYSTEM EFFECT WILL DRASTICALLY INCREASE STATIC PRESSURE AND REDUCE AIRFLOW. DO NOT RELY ON UNIT TO SUPPORT DUCT IN ANY WAY. FAILURE TO PROPERLY SIZE DUCTWORK MAY CAUSE SYSTEM EFFECTS AND REDUCE PERFORMANCE OF THE EQUIPMENT. SUGGESTED STRAIGHT DUCT SIZE IS 24" x 24".

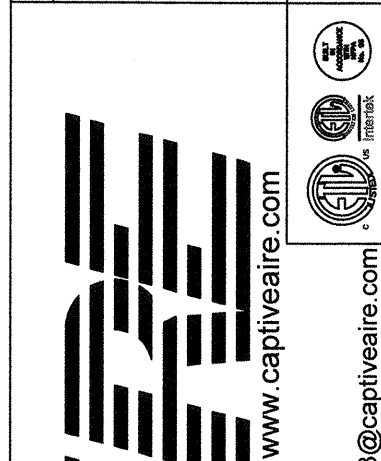


PITCHED CURBS ARE AVAILABLE FOR PITCHED ROOFS.

SPECIFY PITCH:  
EXAMPLE: 7/12 PITCH = 30° SLOPE.



REVISIONS	
DESCRIPTION	DATE
Δ	
Δ	
Δ	
Δ	



1717 E. Bell Road, SUITE 12, Phoenix, AZ. 85022 PHONE: (480) 926-6810 FAX: (877) 719-2227 EMAIL: regis3@captiveaire.com

Lin's Grand Buffet - Casa Grande  
CASA GRANDE, AZ, 85193

DATE: 1/18/2021  
DWG.#: 4685901  
DRAWN BY: kelly.ryan  
SCALE: 3/4" = 1'-0"  
MASTER DRAWING  
SHEET NO. 7

REV.	ARCHITECT	STATUS
Δ		-
Δ		-
Δ		-
Δ		-
Δ		-

WINTON ARCHITECTS, INC  
1110 E. MISSOURI AVENUE #800  
PHOENIX, ARIZONA 85014  
(602) 280-2740

AZ ARC ARIZONA RESTAURANT CONSULTING  
7920 E. OAK STREET, SUITE 100, SCOTTSDALE, ARIZONA 85257  
JUSTIN@AZRESTAURANTCONSULTING.COM

LIN'S GRAND BUFFET  
CASA GRANDE, ARIZONA  
MECHANICAL SPECIFICATIONS

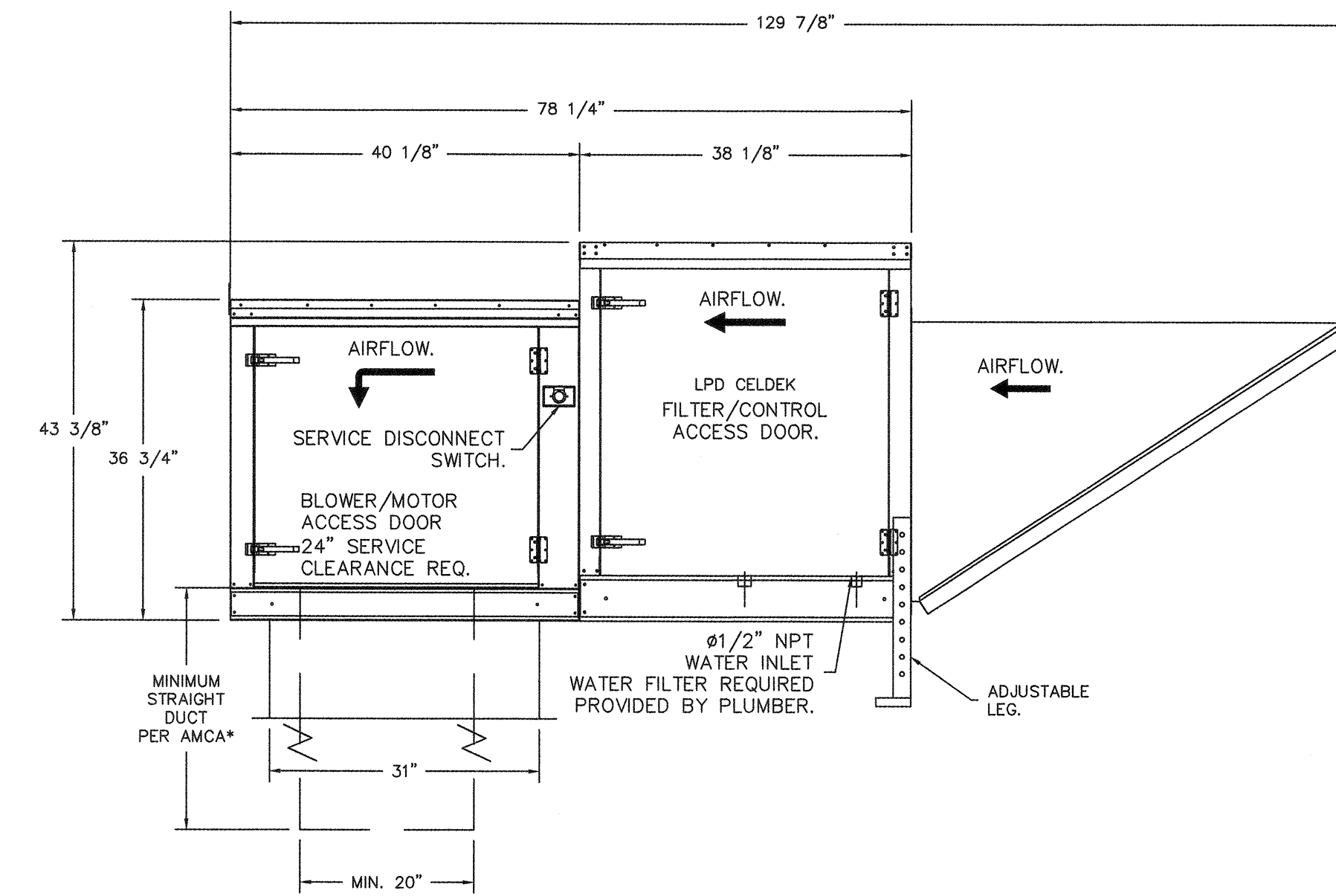
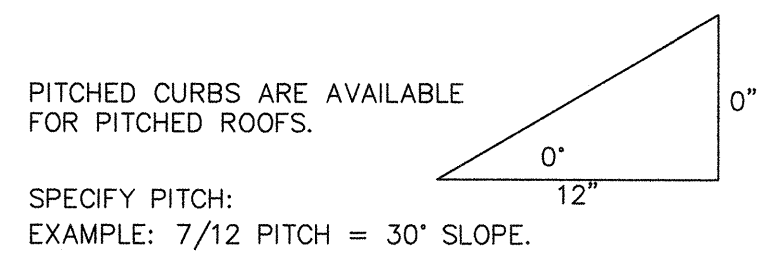
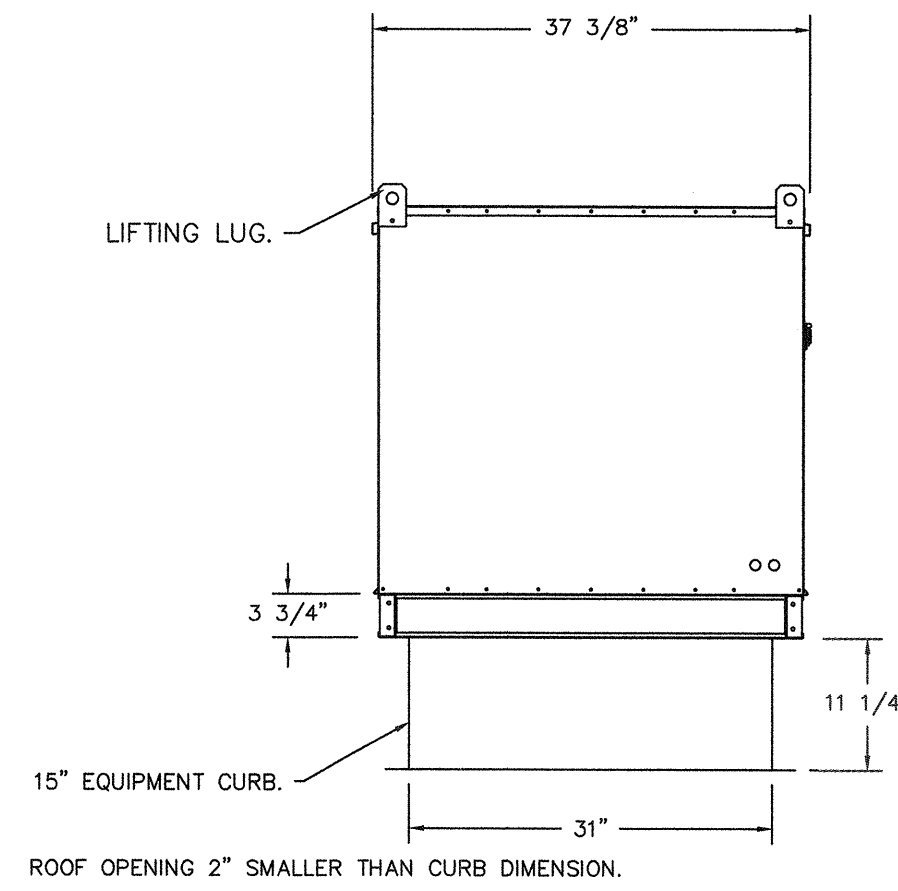
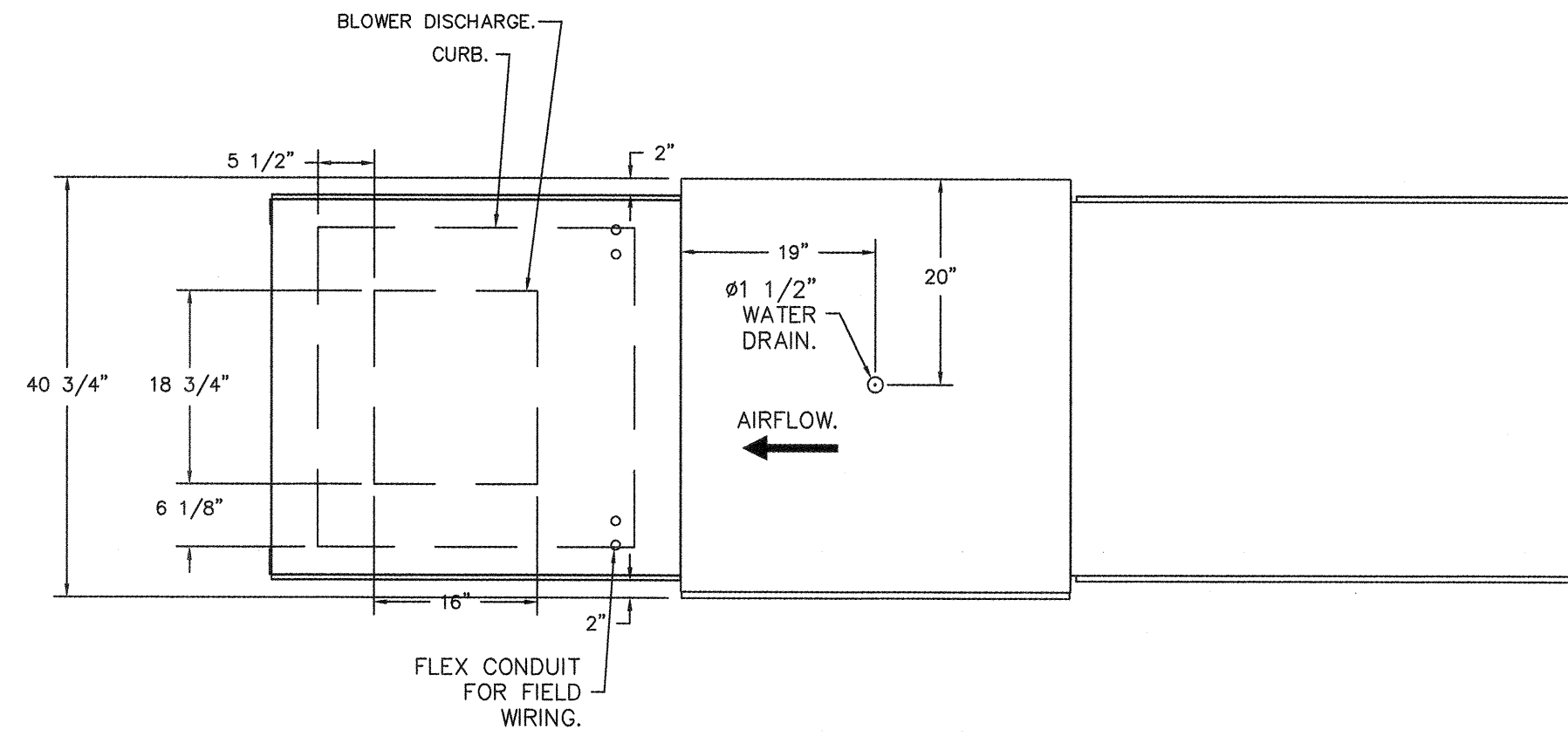
Drawn by: TM  
Checked by: JBM  
Date: 2/3/2021  
Sheet Number:

FS-4.7

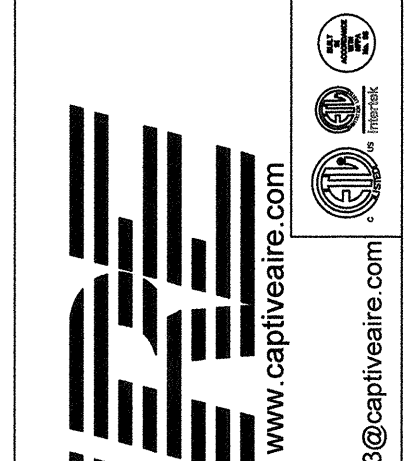


- FAN #6 A2-200 - SUPPLY FAN (MUA-2)
1. UNTEMPERED SUPPLY UNIT WITH 20" DIRECT DRIVE FAN IN SIZE #2 HOUSING.
  2. EVAP COOLER (LPD CELDEK) - W/INTAKE HOOD W/EZ FILTERS.
  3. DOWN DISCHARGE - AIR FLOW RIGHT -> LEFT.
  4. 120V WIRING CONNECTION TO ENERGIZE EVAPORATIVE COOLERS FROM UNTEMPERED SUPPLY FANS.
  5. SEPARATE 120VAC WIRING PACKAGE FOR MAKE-UP AIR UNITS. OPTION MUST BE SELECTED WHEN MOUNTING VFD IN PREWIRE PANEL OR WITH DCV PACKAGE. PROVIDES SEPARATE 120VAC INPUT TO SUPPLY FAN. THIS 120V SIGNAL MUST BE RUN BY ELECTRICIAN FROM DCV TO MUA SWITCH.
  6. HINGED DOUBLE WALL INSULATED DOOR ASSEMBLY (BURNER/BLOWER/EVAP SECTION).

\*NOTE: SUPPLY DUCT MUST BE INSTALLED TO MEET SMACNA STANDARDS. A MINIMUM STRAIGHT DUCT LENGTH MUST BE MAINTAINED DOWNSTREAM OF UNIT DISCHARGE AS OUTLINED IN AMCA PUBLICATION 201. WHEN USING RECTANGULAR DUCTWORK, ELBOWS MUST BE RADIUS THROAT, RADIUS BACK WITH TURNING VANES. FLEXIBLE DUCTWORK AND SQUARE THROAT/SQUARE BACK ELBOWS SHOULD NOT BE USED. ANY TRANSITION AND/OR TURNS IN THE DUCTWORK WILL CAUSE SYSTEM EFFECT. SYSTEM EFFECT WILL DRASTICALLY INCREASE STATIC PRESSURE AND REDUCE AIRFLOW. DO NOT RELY ON UNIT TO SUPPORT DUCT IN ANY WAY. FAILURE TO PROPERLY SIZE DUCTWORK MAY CAUSE SYSTEM EFFECTS AND REDUCE PERFORMANCE OF THE EQUIPMENT. SUGGESTED STRAIGHT DUCT SIZE IS 20" x 20".



REVISIONS	
DESCRIPTION	DATE



**CAPTIVE AIR SYSTEMS**  
www.captiveair.com  
Arizona Office  
1117 E. Bell Road, SUITE 12, Phoenix, AZ, 85022 PHONE: (480) 926-6810 FAX: (877) 719-2227 EMAIL: reg3@captivesair.com

Lin's Grand Buffet - Casa Grande  
CASA GRANDE, AZ, 85193

DATE: 1/18/2021  
DWG.#: 4685901  
DRAWN BY: kelly.ryan  
SCALE: 3/4" = 1'-0"  
MASTER DRAWING  
SHEET NO. 8

REV.	ARCHITECT	STATUS
A		
B		
C		
D		
E		

WINTON ARCHITECTS, INC  
1110 E. MISSOURI AVENUE #800  
PHOENIX, ARIZONA 85014  
(602) 230-2740

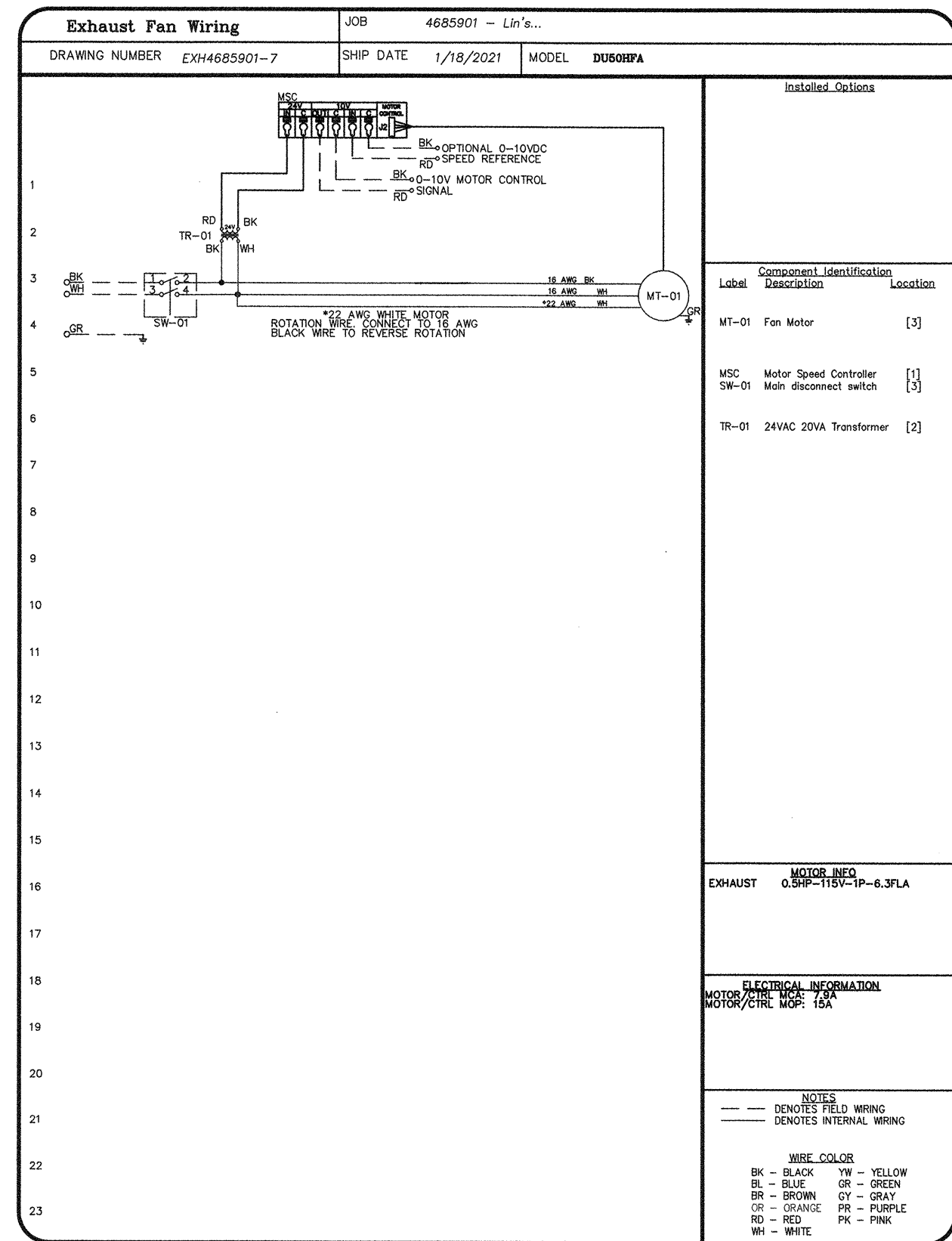
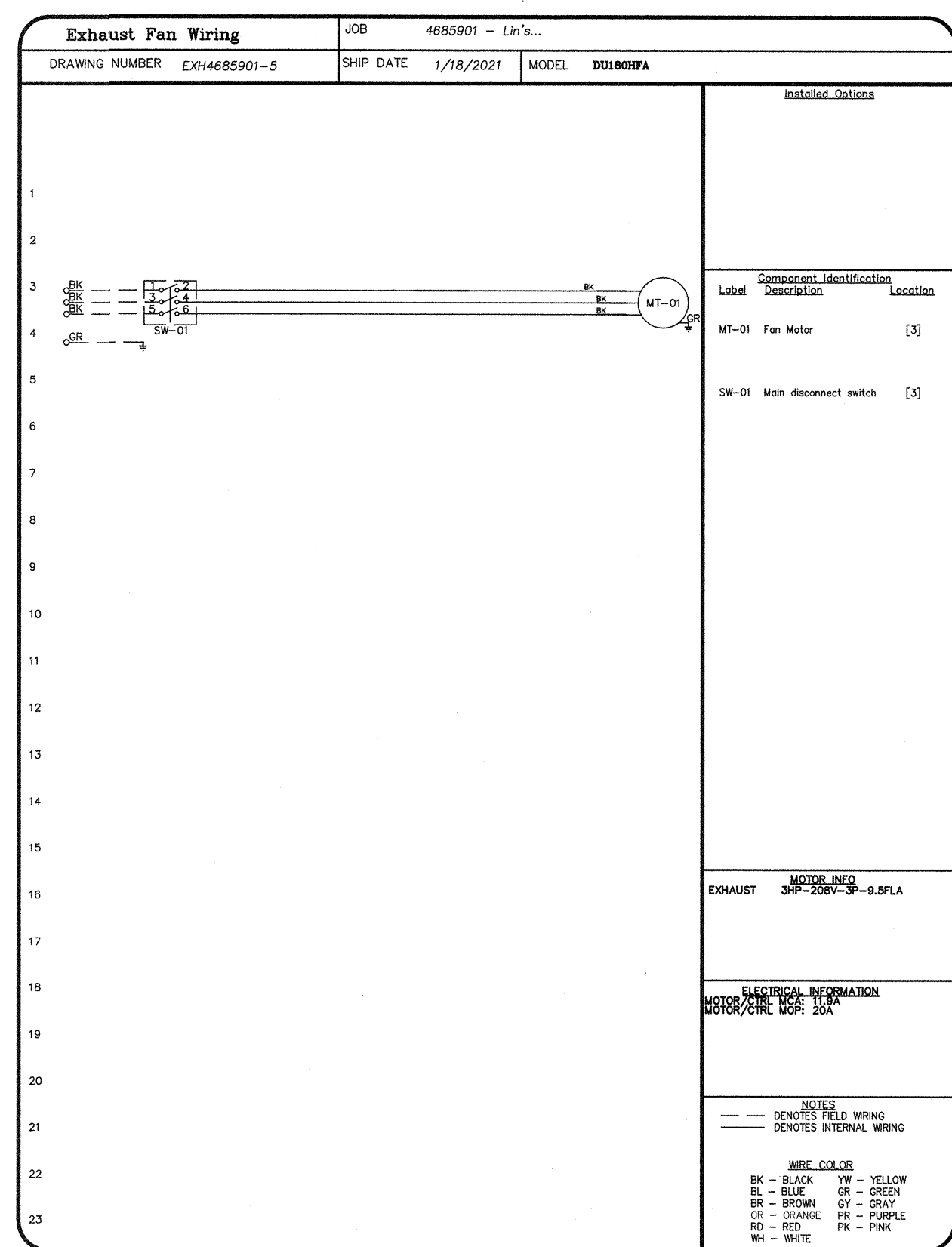
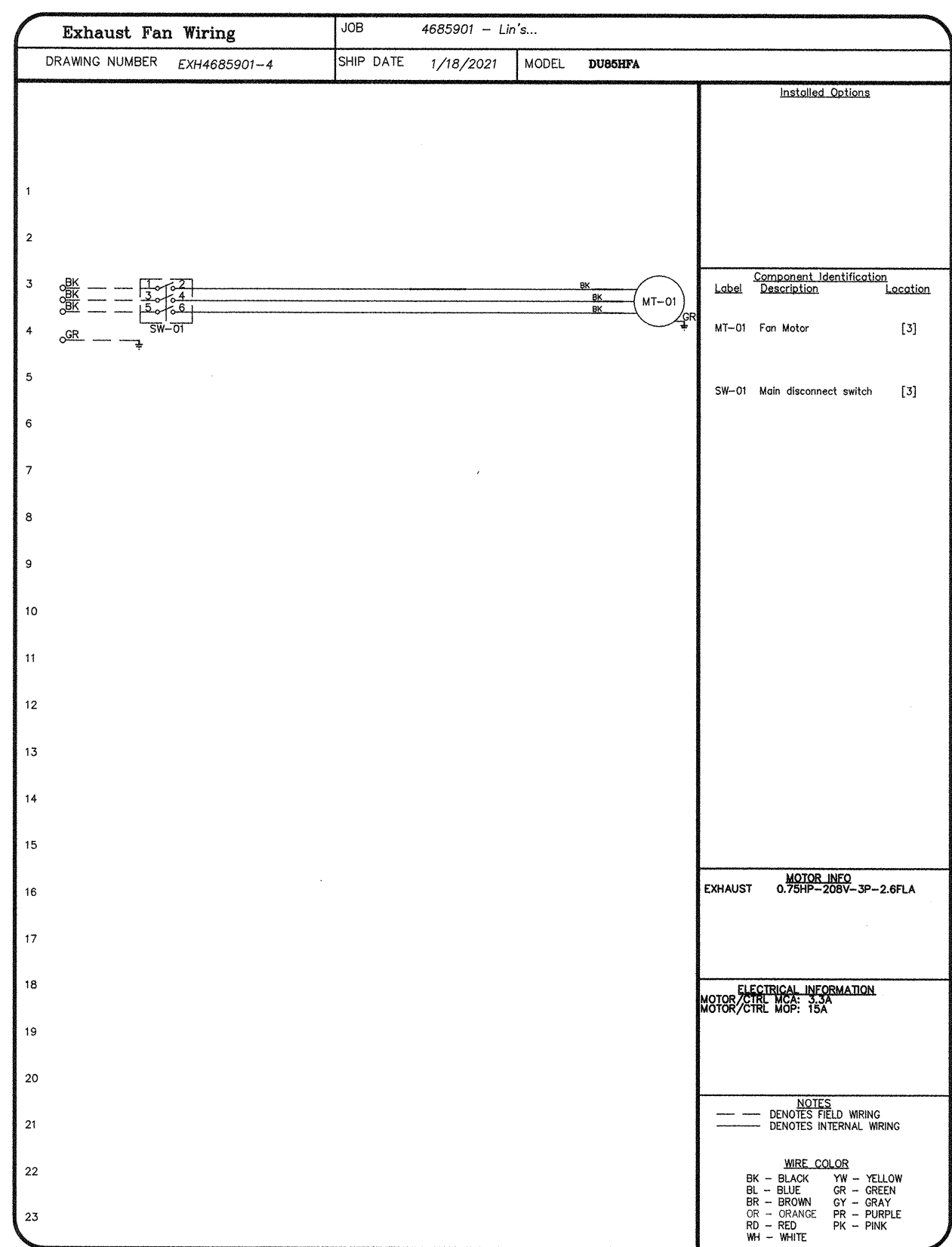
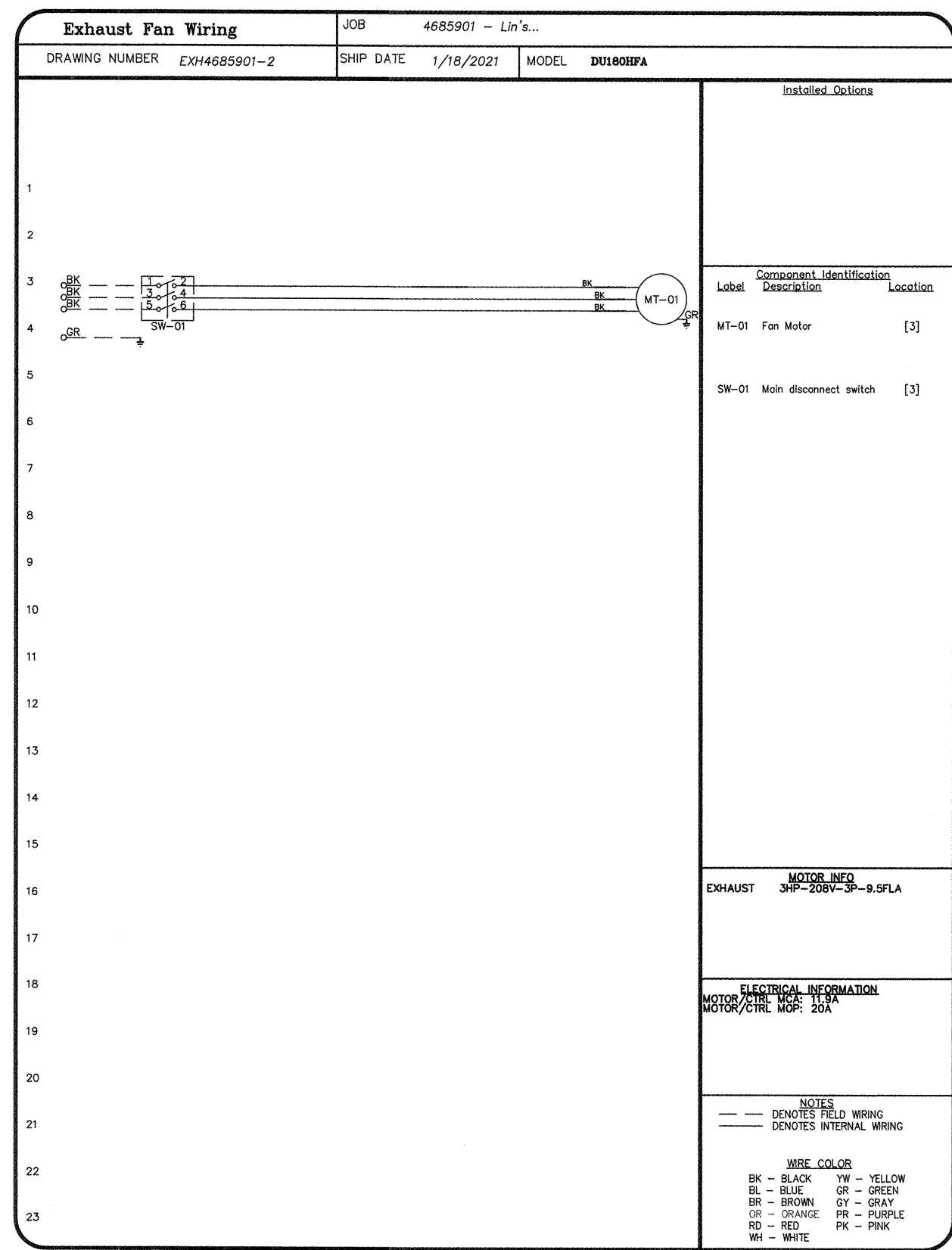
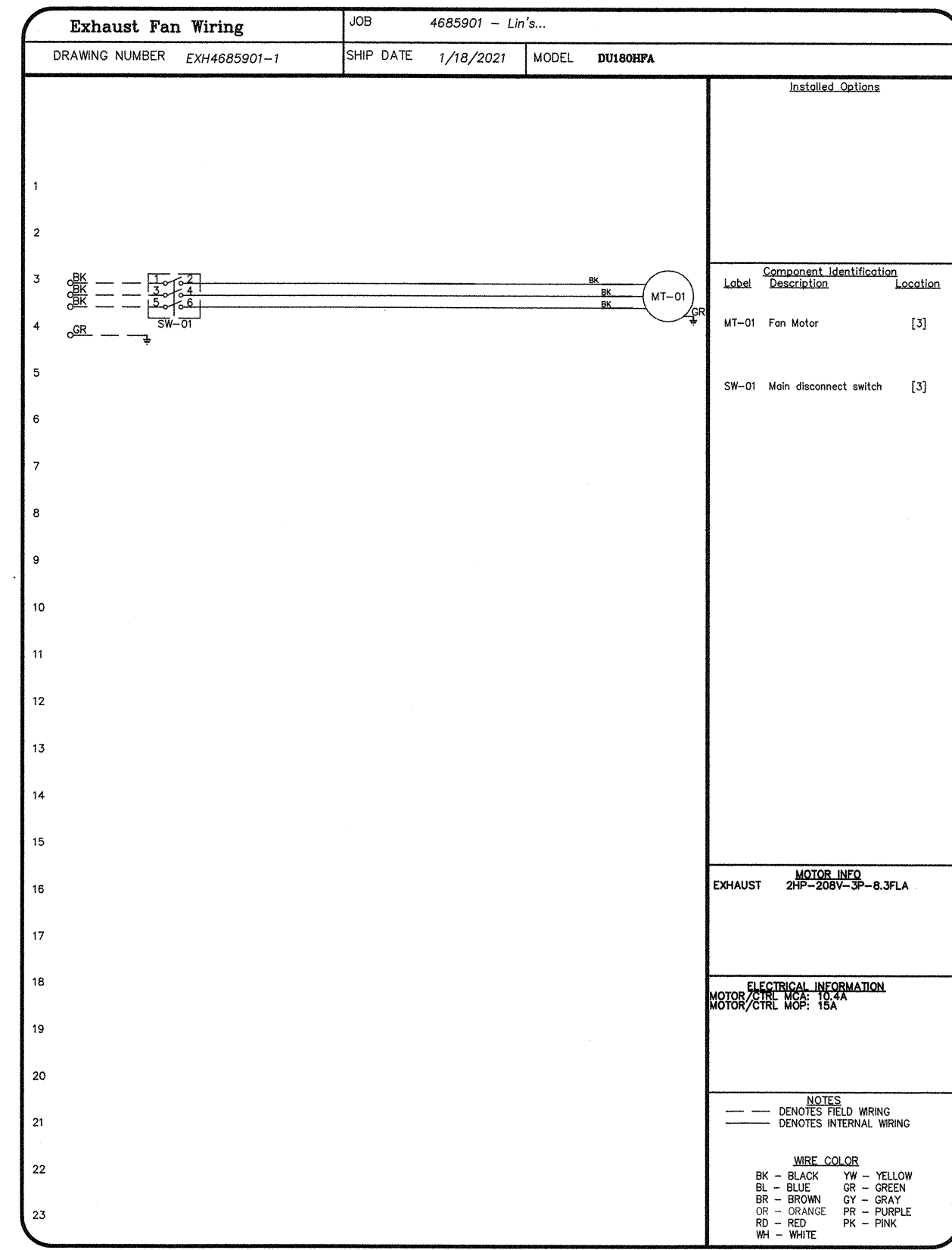
**AZ ARC**  
ARIZONA  
RESTAURANT CONSULTING  
7920 E. OAK STREET, SUITE 100, PHOENIX, ARIZONA 85027  
JUSTIN@AZRESTAURANTCONSULTING.COM

**LIN'S GRAND BUFFET**  
CASA GRANDE, ARIZONA  
MECHANICAL SPECIFICATIONS

Drawn by: TM  
Checked by: JBM  
Date: 2/3/2021  
Sheet Number:

FS-4.8

THIS DRAWING IS AN INSTRUMENT OF DESIGN SERVICE AND IS THE INTELLECTUAL PROPERTY OF AZ RESTAURANT CONSULTING. THIS PROPERTY MAY NOT BE REALLOCATED IN ANY FORM, BY ANY OTHER ENTITY, FOR ANY PURPOSE WITHOUT WRITTEN PERMISSION FROM AZ RESTAURANT CONSULTING, UNDER PENALTY OF LAW. THIS DRAWING IS THE CULMINATION OF CONTRACTED TIME BETWEEN OUR EXPERIENCED DESIGN CONSULTANT AND THE "OWNER"/"OWNER'S REPRESENTATIVE" WHICH REFLECTS THE JOINT OPINION OF BOTH PARTIES. THE LAYOUT(S) ABOVE ARE INTENDED TO PRESENT THE MOST EFFICIENT AND EFFECTIVE USE OF THE SPACE PROVIDED, ACCORDING TO INFORMATION UNDERSTOOD BY ALL PARTIES AT THE ORIGINAL DATE OR MOST RECENT REVISION DATE SHOWN ON THIS DRAWING. DEVIATION FROM THE DETAILS ABOVE ARE NOT THE RESPONSIBILITY OF AZ RESTAURANT CONSULTING.



**REVISIONS**

DESCRIPTION	DATE



**Arizona Office**  
 1717 E. Bell Road, SUITE 12, Phoenix, AZ 85022 PHONE: (480) 925-6610 FAX: (677) 719-2227 EMAIL: info@captivewire.com

Lin's Grand Buffet - Casa Grande  
 CASA GRANDE, AZ, 85193

**DATE:** 1/18/2021  
**DWG.#:** 4685901  
**DRAWN BY:** kelly.ryan  
**SCALE:** 3/4" = 1'-0"  
**MASTER DRAWING**

**SHEET NO.**  
 9

REV.	ARCHITECT	STATUS
1	WINTON ARCHITECTS, INC 1110 E. MISSOURI AVENUE #800 PHOENIX, ARIZONA 85014 (602) 230-2740	-
2		-
3		-
4		-
5		-

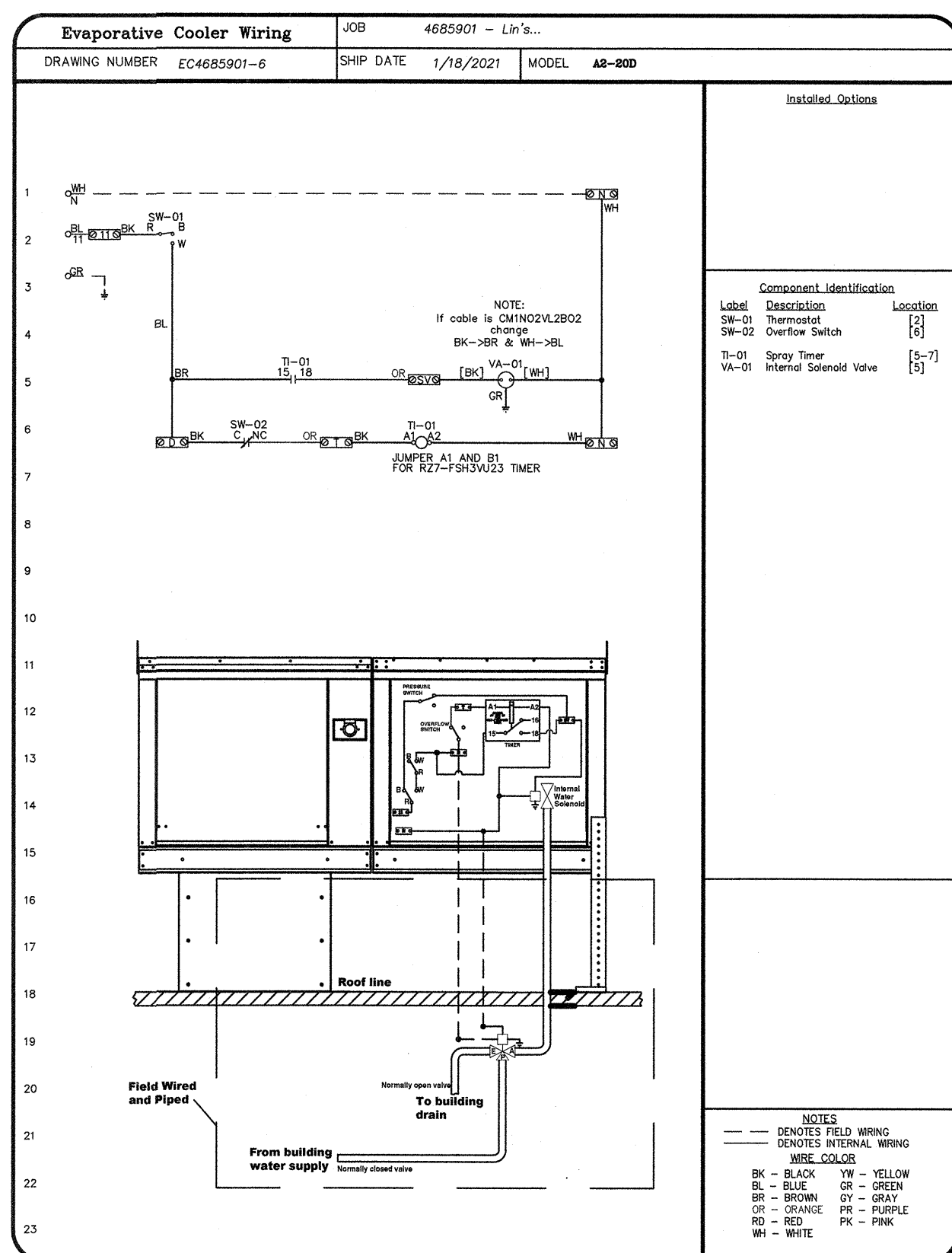
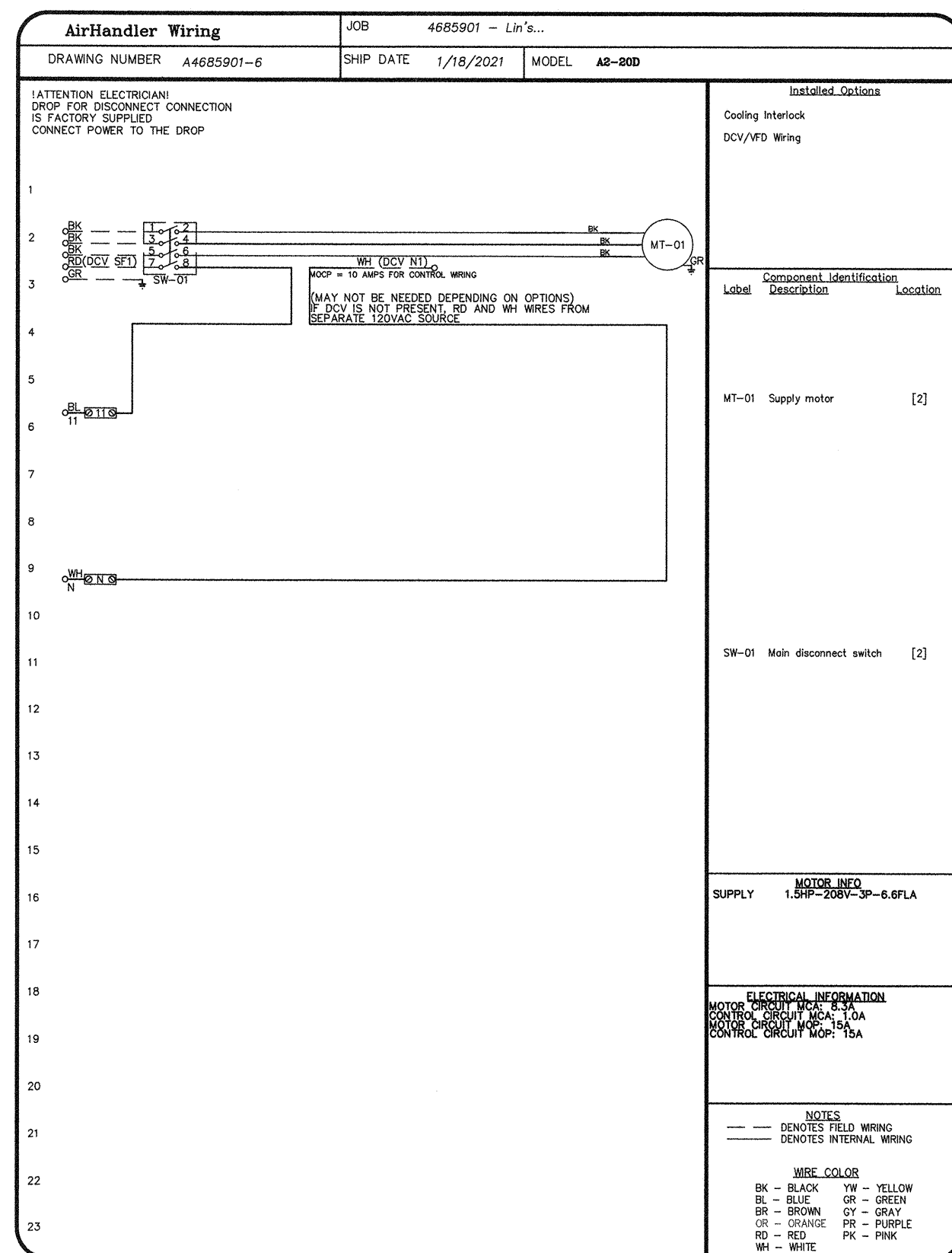
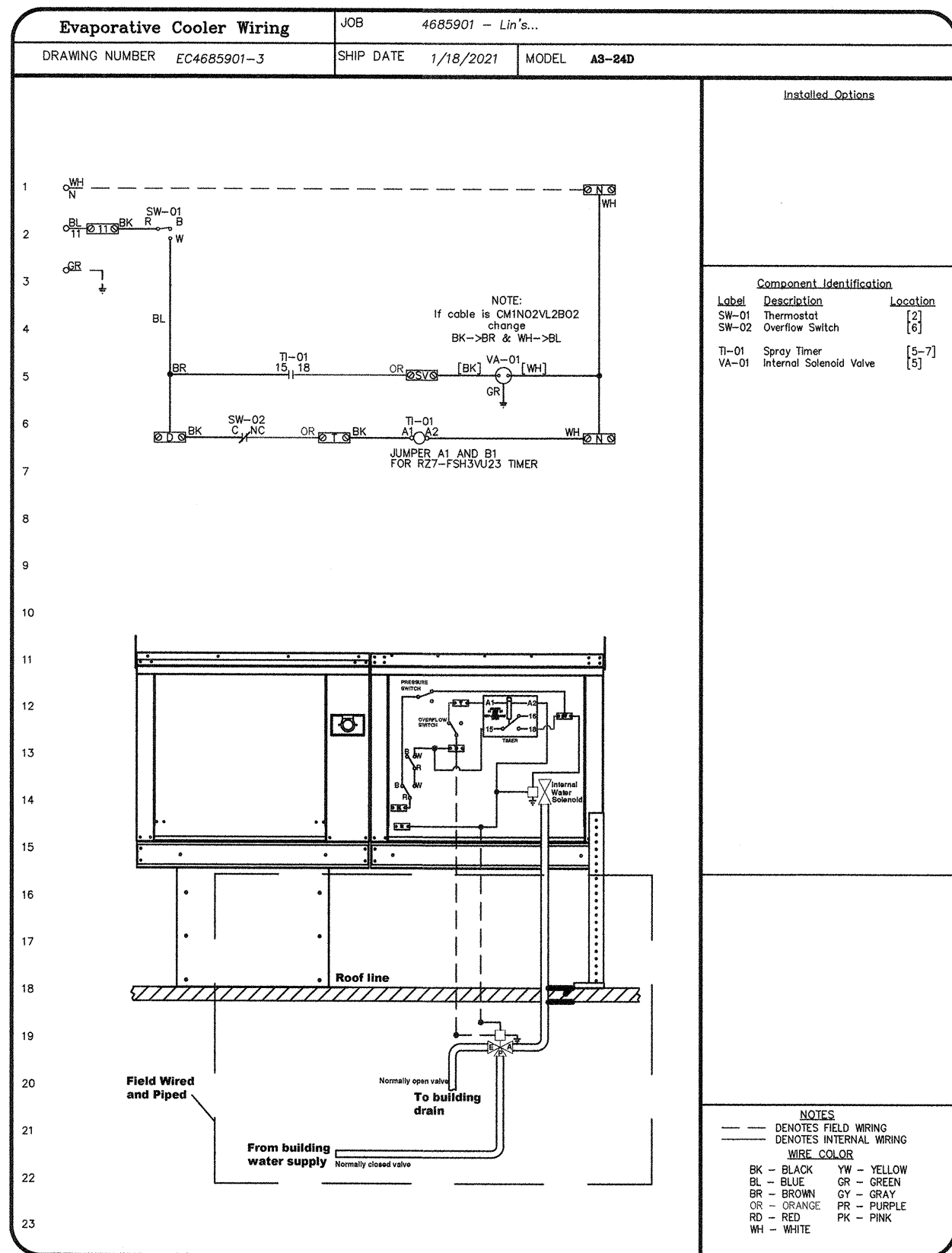
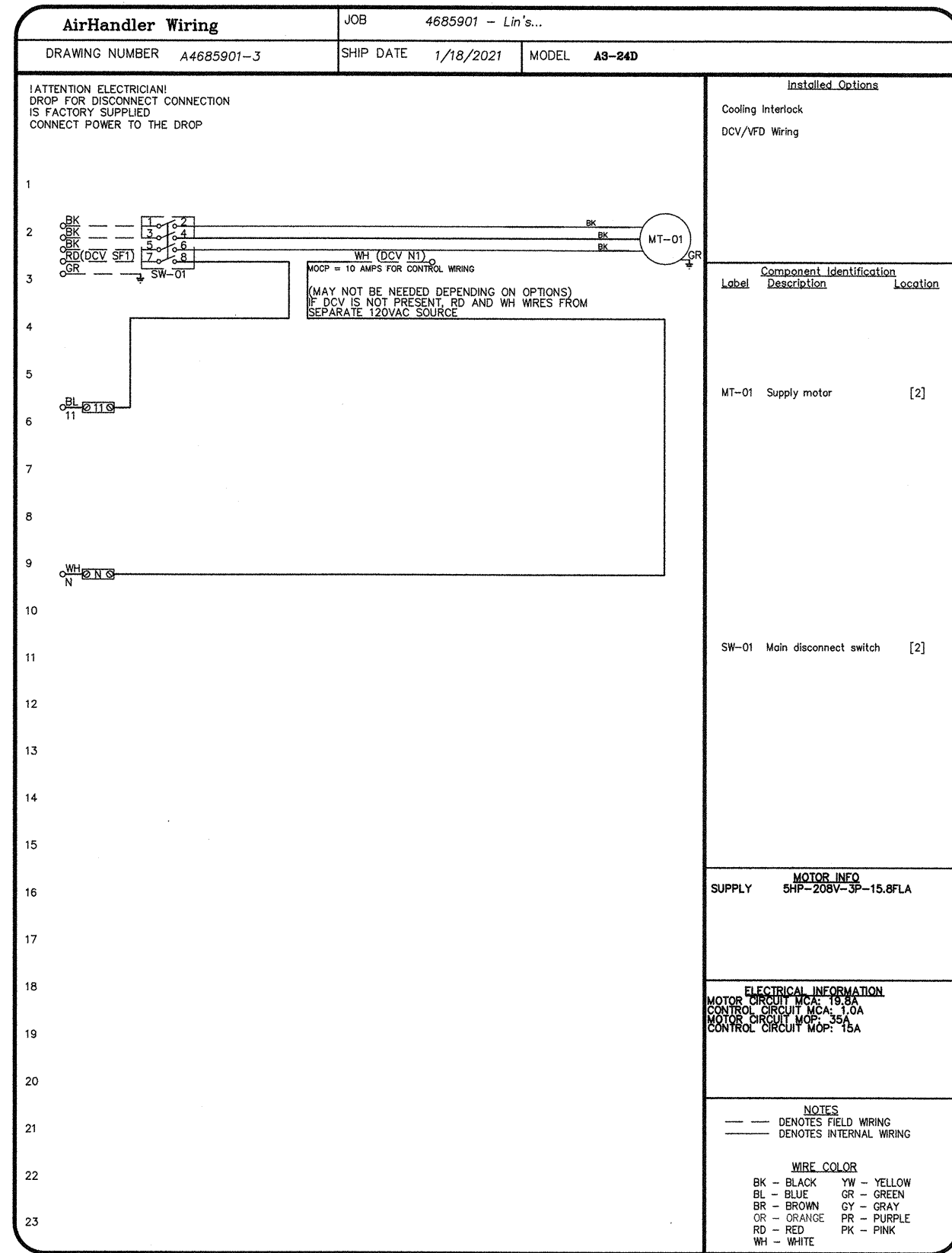
**AZ ARC ARIZONA**  
 RESTAURANT CONSULTING  
 7920 E. OAK STREET, SUITE 301, SCOTTSDALE, ARIZONA 85257  
 JUSTIN@AZRESTAURANTCONSULTING.COM

**LIN'S GRAND BUFFET**  
 CASA GRANDE, ARIZONA  
 MECHANICAL SPECIFICATIONS

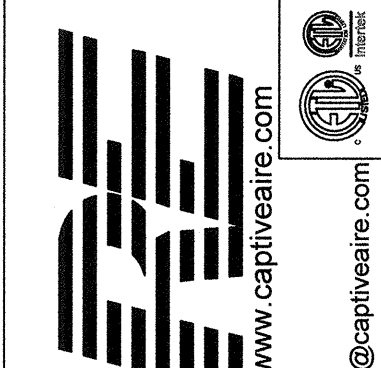
Drawn by: TM  
 Checked by: JBM  
 Date: 2/3/2021  
 Sheet Number:  

THIS DRAWING IS AN INSTRUMENT OF DESIGN SERVICE AND IS THE INTELLECTUAL PROPERTY OF AZ RESTAURANT CONSULTING. THIS PROPERTY MAY NOT BE REALLOCATED IN ANY FORM, BY ANY OTHER ENTITY, FOR ANY PURPOSE WITHOUT WRITTEN PERMISSION FROM AZ RESTAURANT CONSULTING, UNDER PENALTY OF LAW. THIS DRAWING IS THE CULMINATION OF CONTRACTED TIME BETWEEN OUR EXPERIENCED DESIGN CONSULTANT AND THE "OWNER"/"OWNER'S REPRESENTATIVE" WHICH REFLECTS THE JOINT OPINION OF BOTH PARTIES. THE LAYOUT(S) ABOVE ARE INTENDED TO PRESENT THE MOST EFFICIENT AND EFFECTIVE USE OF THE SPACE PROVIDED, ACCORDING TO INFORMATION UNDERSTOOD BY ALL PARTIES AT THE ORIGINAL DATE OR MOST RECENT REVISION DATE SHOWN ON THIS DRAWING. DEVIATION FROM THE DETAILS ABOVE ARE NOT THE RESPONSIBILITY OF AZ RESTAURANT CONSULTING.

FS-4.9



REVISIONS	
DESCRIPTION	DATE



Arizona Office  
1717 E. Bell Road, SUITE 12, Phoenix, AZ, 85022 PHONE: (480) 926-6810 FAX: (877) 718-2227 EMAIL: regis@captiveare.com

Lin's Grand Buffet - Casa Grande  
CASA GRANDE, AZ, 85193

DATE: 1/18/2021  
DWG.#: 4685901  
DRAWN BY: kelly.ryan  
SCALE: 3/4" = 1'-0"  
MASTER DRAWING  
SHEET NO. 10

REV.	DESCRIPTION	DATE	STATUS
A			
B			
C			
D			
E			

ARCHITECT  
WINTON ARCHITECTS, INC  
1110 E. MISSOURI AVENUE #800  
PHOENIX, ARIZONA 85014  
(602) 230-2740

AZ ARC ARIZONA RESTAURANT CONSULTING  
7920 E. OAK STREET, SUITE 100, SCOTTSDALE, ARIZONA 85257  
JUSTIN@AZRESTAURANTCONSULTING.COM

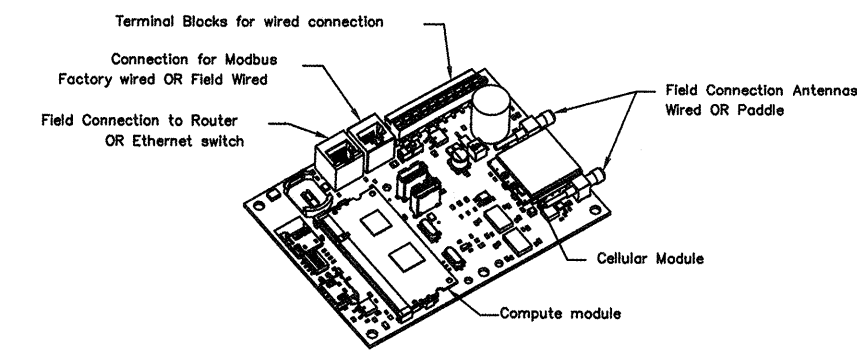
LIN'S GRAND BUFFET  
CASA GRANDE, ARIZONA  
MECHANICAL SPECIFICATIONS

Drawn by: TM  
Checked by: JBM  
Date: 2/3/2021  
Sheet Number:

FS-4.10

**ELECTRICAL PACKAGE - JOB#4685901**

NO	TAG	PACKAGE #	LOCATION	SWITCHES		OPTION	FANS CONTROLLED					
				LOCATION	QUANTITY		FAN TAG	TYPE	Φ	HP	VOLT	FLA
1	WOKS	SC-32110FP	UTILITY CABINET RIGHT	O4 - UTILITY CABINET RIGHT	1 LIGHT	SMART CONTROLS THERMOSTATIC CONTROL	KEF-1	EXHAUST	3	2,000	208	8.3
				HOOD # 1	1 FAN		KEF-1	EXHAUST	3	3,000	208	9.5
							MUA-1	SUPPLY	3	5,000	208	15.8
2	Mongolian	SC-32110FP	WALL MOUNT IN SS BOX	O2 - FACE MOUNT RIGHT SIDE OF HOOD	1 LIGHT	SMART CONTROLS THERMOSTATIC CONTROL	KEF-3	EXHAUST	3	0.750	208	2.6
							KEF-4	EXHAUST	3	3,000	208	9.5
				HOOD # 3	1 FAN		MUA-2	SUPPLY	3	1,500	208	6.6

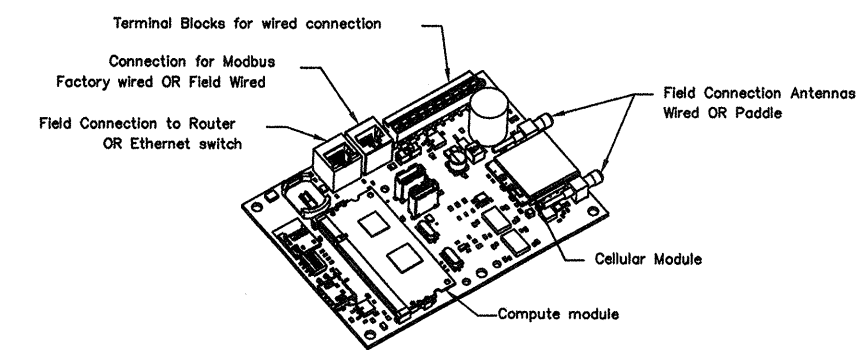


**CASlink Monitor and Control**

Hood control panel to support communications to cloud-based Building Management System.  
 Hood Control Panel to allow cloud-based Building Management System to monitor real time parameters outlined as MONITOR in the points list.  
 Hood Control Panel to allow cloud-based Building Management System to control parameters outlined as CONTROL in the points list.  
 Hood Control Panel to allow cloud-based Building Management System to implement SYSTEM ECONOMIZER control strategies for fully integrated Building Management.

**MONITORING AND CONTROL POINTS LIST**

DCV Packages	Function	SC Packages	Function
Room Temperature	MONITOR	Room Temperature(s)	MONITOR
Duct Temperature(s)	MONITOR	Duct Temperature(s)	MONITOR
MUA Discharge Temperature	MONITOR	MUA Discharge Temperature	MONITOR
Kitchen RTU Discharge Temperature	MONITOR	Kitchen RTU Discharge Temperature	MONITOR
Fan Speed	MONITOR	Controller Fan(s)	MONITOR
Fan Amps	MONITOR	Fan Status	MONITOR
Fan Power	MONITOR	PCU Fan(s)	MONITOR
VFD Faults	MONITOR	PCU Filter Cap Percentage	MONITOR
Controller Faults	MONITOR	Fan Faults	MONITOR
Fan Status	MONITOR	Fire Condition	MONITOR
PCU Faults	MONITOR	COSE Fire System	MONITOR
PCU Filter Cap Percentage	MONITOR	Building Presence	MONITOR
Fire Condition	MONITOR	Fans Button(s)	MONITOR & CONTROL
COSE Fire System	MONITOR	Light(s) Button(s)	MONITOR & CONTROL
Building Presence	MONITOR	Push Button	MONITOR & CONTROL
Prog Time Button	MONITOR & CONTROL		
Fans Button	MONITOR & CONTROL		
Light(s) Button	MONITOR & CONTROL		
Push Button	MONITOR & CONTROL		

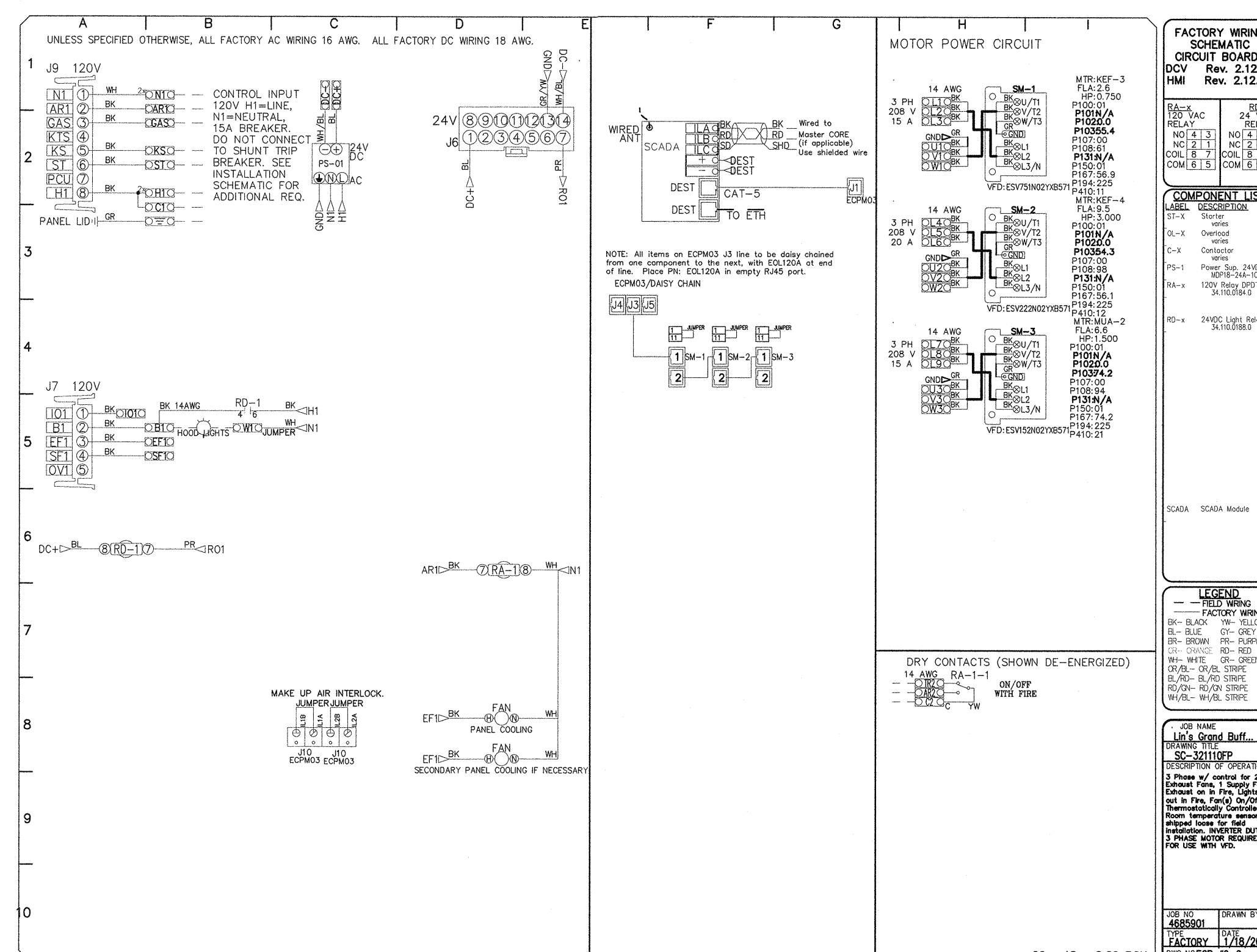
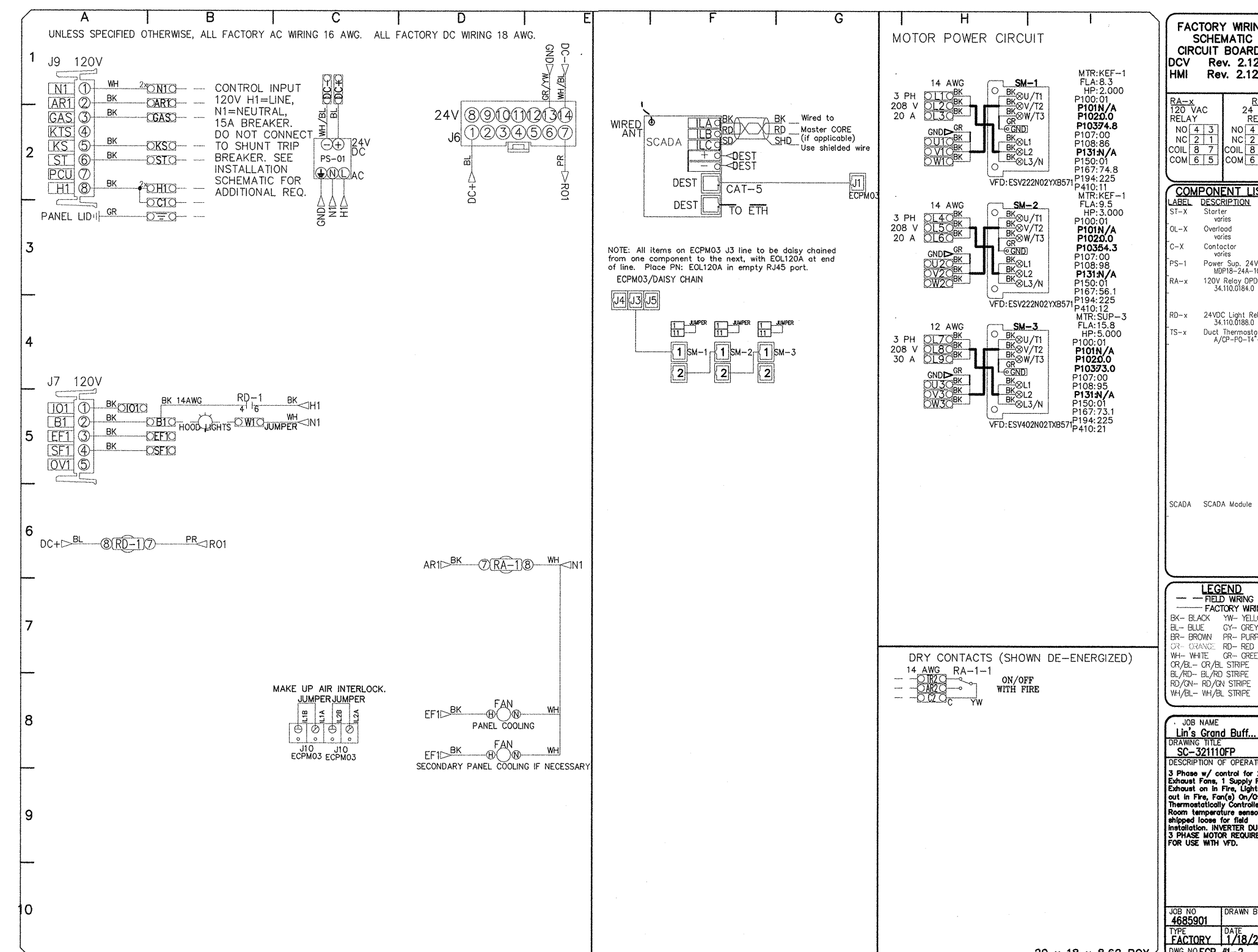
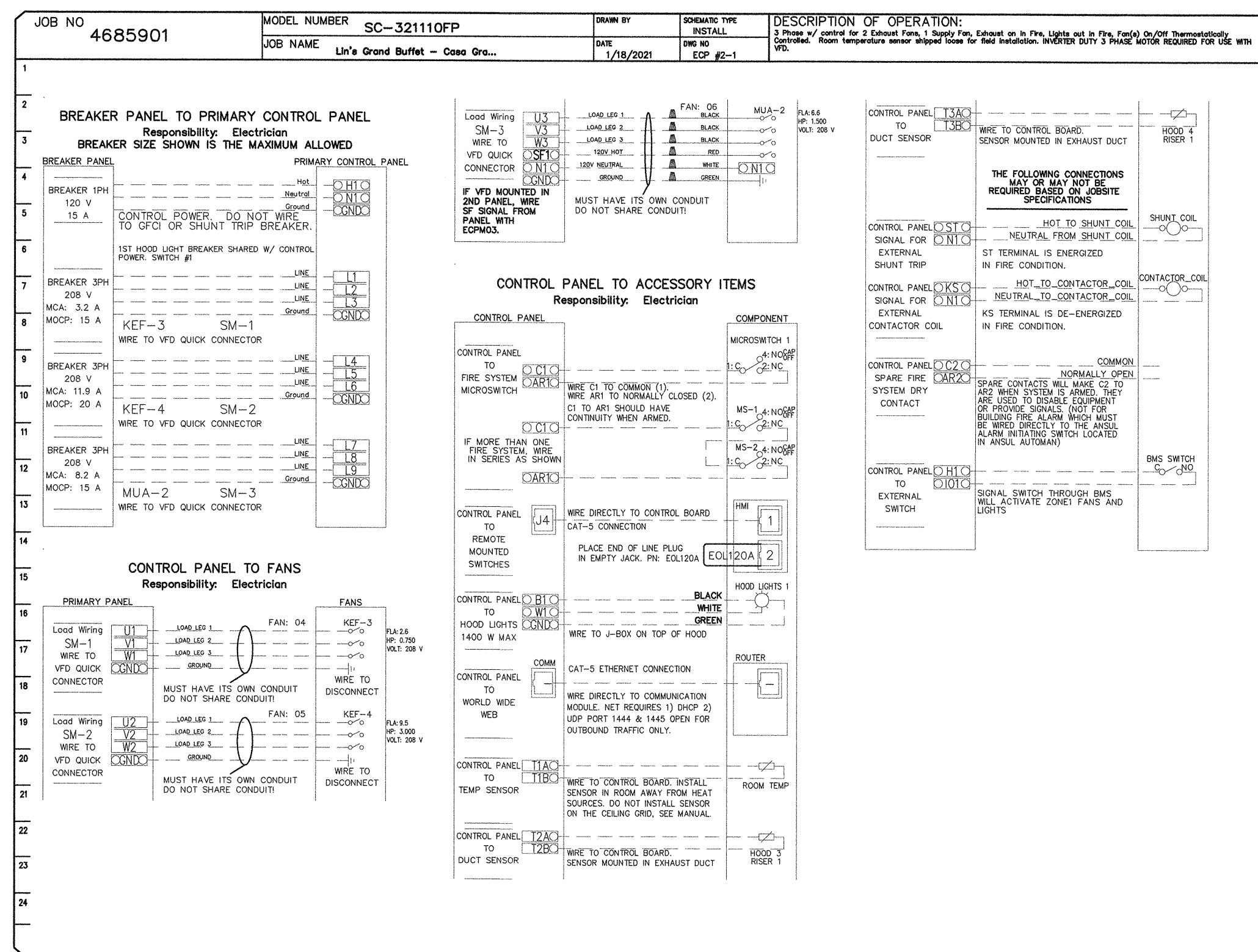
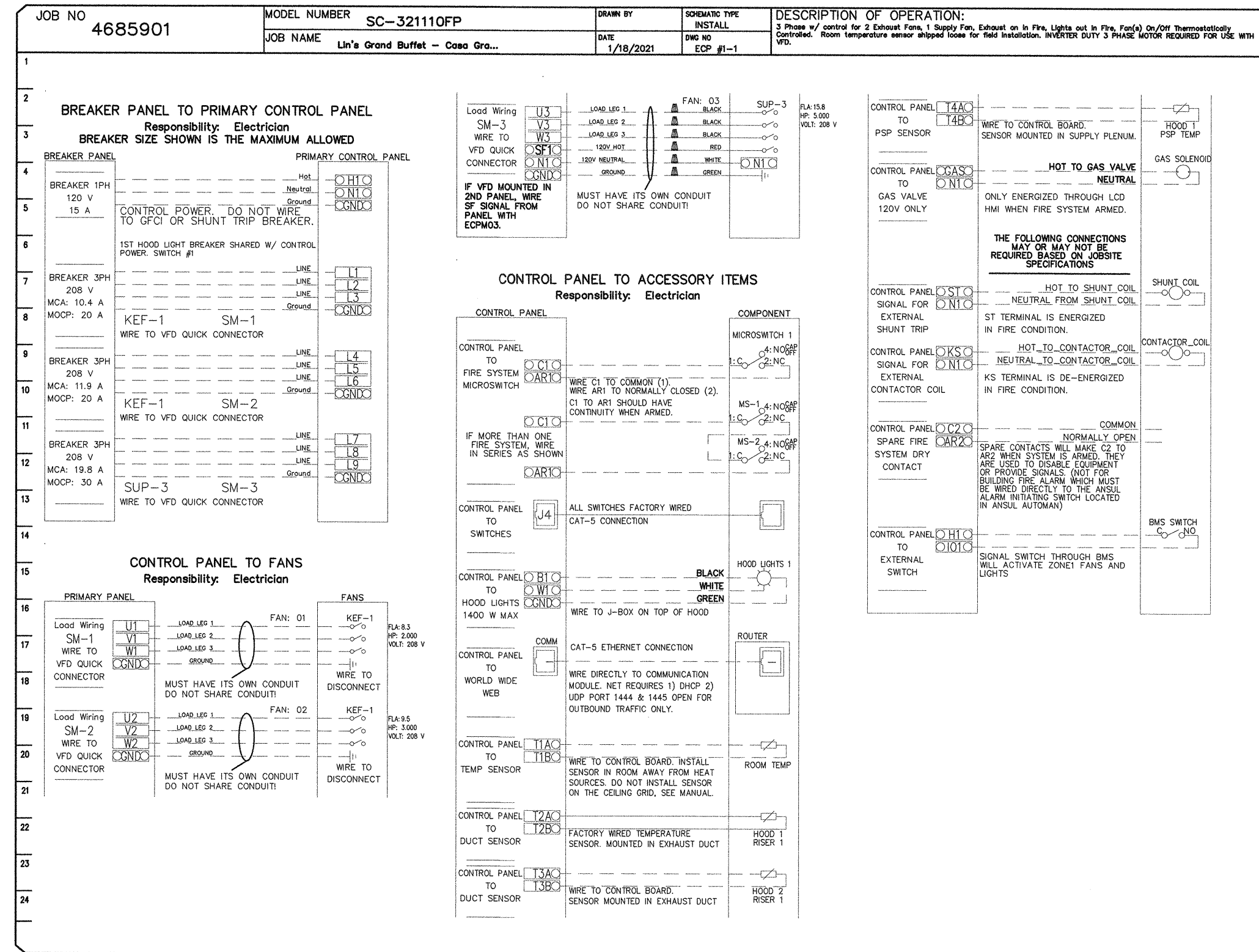


**CASlink Monitor and Control**

Hood control panel to support communications to cloud-based Building Management System.  
 Hood Control Panel to allow cloud-based Building Management System to monitor real time parameters outlined as MONITOR in the points list.  
 Hood Control Panel to allow cloud-based Building Management System to control parameters outlined as CONTROL in the points list.  
 Hood Control Panel to allow cloud-based Building Management System to implement SYSTEM ECONOMIZER control strategies for fully integrated Building Management.

**MONITORING AND CONTROL POINTS LIST**

DCV Packages	Function	SC Packages	Function
Room Temperature	MONITOR	Room Temperature(s)	MONITOR
Duct Temperature(s)	MONITOR	Duct Temperature(s)	MONITOR
MUA Discharge Temperature	MONITOR	MUA Discharge Temperature	MONITOR
Kitchen RTU Discharge Temperature	MONITOR	Kitchen RTU Discharge Temperature	MONITOR
Fan Speed	MONITOR	Controller Fan(s)	MONITOR
Fan Amps	MONITOR	Fan Status	MONITOR
Fan Power	MONITOR	PCU Fan(s)	MONITOR
VFD Faults	MONITOR	PCU Filter Cap Percentage	MONITOR
Controller Faults	MONITOR	Fan Faults	MONITOR
Fan Status	MONITOR	Fire Condition	MONITOR
PCU Faults	MONITOR	COSE Fire System	MONITOR
PCU Filter Cap Percentage	MONITOR	Building Presence	MONITOR
Fire Condition	MONITOR	Fans Button(s)	MONITOR & CONTROL
COSE Fire System	MONITOR	Light(s) Button(s)	MONITOR & CONTROL
Building Presence	MONITOR	Push Button	MONITOR & CONTROL
Prog Time Button	MONITOR & CONTROL		
Fans Button	MONITOR & CONTROL		
Light(s) Button	MONITOR & CONTROL		
Push Button	MONITOR & CONTROL		



**REVISIONS**

NO.	DESCRIPTION	DATE

**CAPTIVE**  
 www.captive.com  
 Arizona Office  
 1717 E. Bell Road, SUITE 12, Phoenix, AZ, 85022 PHONE: (480) 926-6810 FAX: (877) 719-2227 EMAIL: reg363@captive.com

**DATE:** 1/18/2021  
**DWG.#:** 4685901  
**DRAWN BY:** kelly.ryan  
**SCALE:** 3/4" = 1'-0"  
**MASTER DRAWING**

**SHEET NO.**  
 11

**STATUS**

**ARCHITECT**

**WINTON ARCHITECTS, INC**  
 1110 E. MISSOURI AVENUE #800  
 PHOENIX, ARIZONA 85014  
 (602) 230-2740

**AZARC**  
**ARIZONA**  
 RESTAURANT CONSULTING  
 7920 E. OAK STREET, SUITE 100, SCOTTSDALE, ARIZONA 85257  
 JUSTIN@AZRESTAURANTCONSULTING.COM

**Lin's Grand Buffet - Casa Grande**  
 CASA GRANDE, AZ, 85193

**Lin's Grand Buffet - Casa Grande**

**MECHANICAL SPECIFICATIONS**

Drawn by: TM  
 Checked by: JBM  
 Date: 2/3/2021  
 Sheet Number:

**FS-4.11**

THIS DRAWING IS AN INSTRUMENT OF DESIGN SERVICE AND IS THE INTELLECTUAL PROPERTY OF AZ RESTAURANT CONSULTING. THIS PROPERTY MAY NOT BE REALLOCATED IN ANY FORM, BY ANY OTHER ENTITY, FOR ANY PURPOSE WITHOUT WRITTEN PERMISSION FROM AZ RESTAURANT CONSULTING, UNDER PENALTY OF LAW. THIS DRAWING IS THE CULMINATION OF CONTRACTED TIME BETWEEN OUR EXPERIENCED DESIGN CONSULTANT AND THE "OWNER"/"OWNER'S REPRESENTATIVE" WHICH REFLECTS THE JOINT OPINION OF BOTH PARTIES. THE LAYOUT(S) ABOVE ARE INTENDED TO PRESENT THE MOST EFFICIENT AND EFFECTIVE USE OF THE SPACE PROVIDED, ACCORDING TO INFORMATION UNDERSTOOD BY ALL PARTIES AT THE ORIGINAL DATE OR MOST RECENT REVISION DATE SHOWN ON THIS DRAWING. DEVIATION FROM THE DETAILS ABOVE ARE NOT THE RESPONSIBILITY OF AZ RESTAURANT CONSULTING.