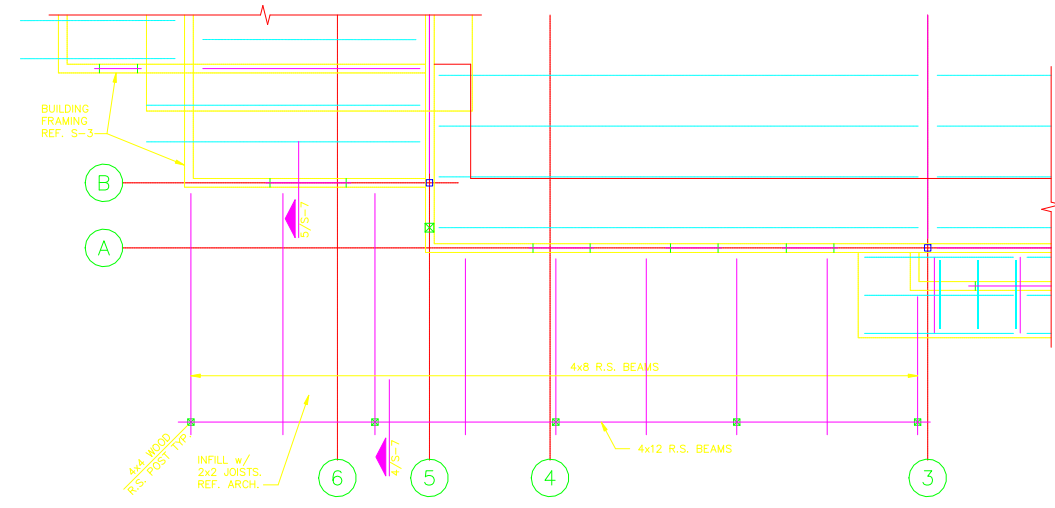


1 FOUNDATION PLAN @ PATIO
SCALE: 1/4"=1'-0"

FOUNDATION PLAN NOTES:

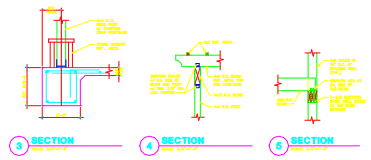
1. REF. CIVIL FOR ACTUAL FINISH FLOOR ELEVATION AND SLOPE AT PATIO.
2. REF. GEN. NOTES FOR SUBGRADE PREPARATIONS.



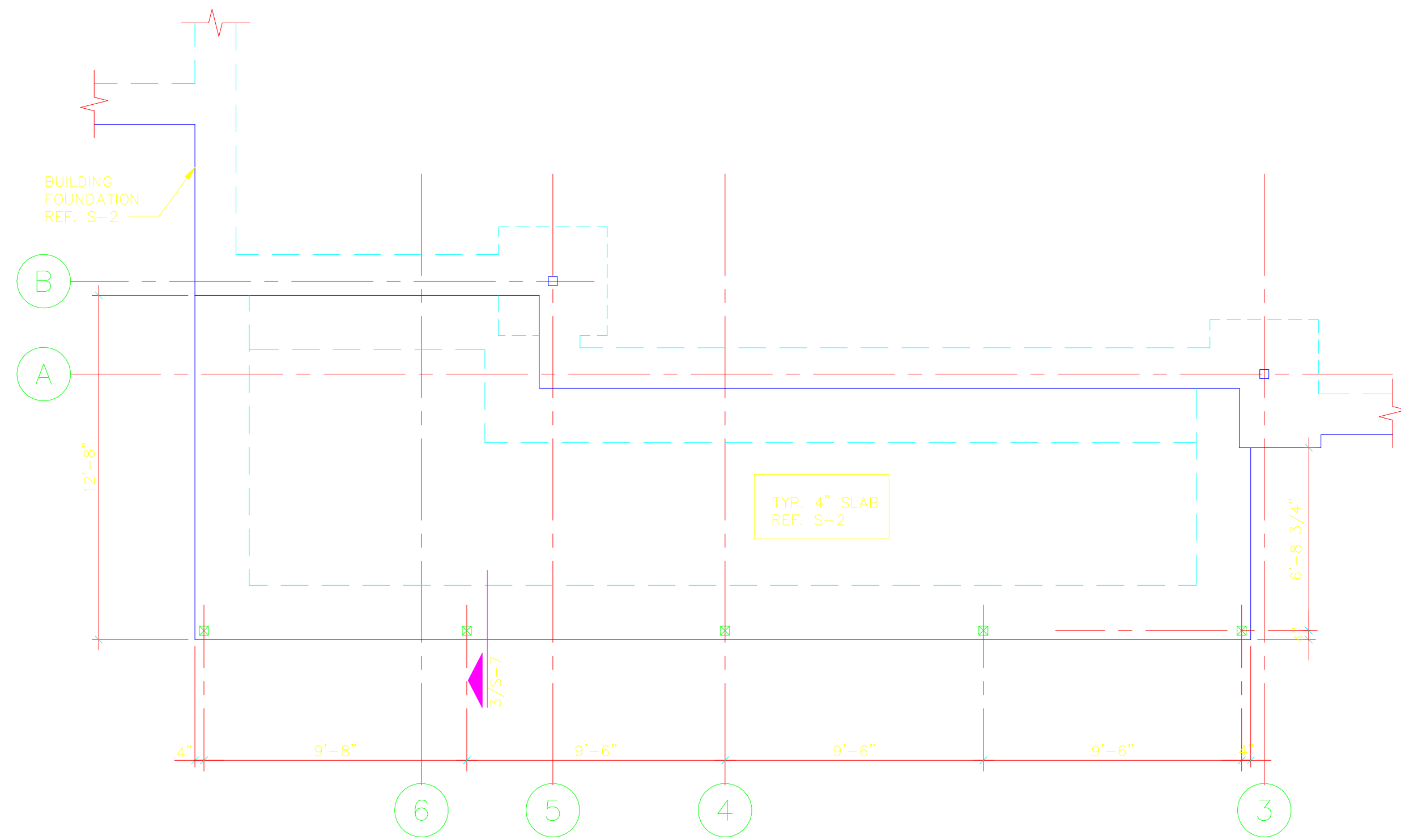
2 ROOF FRAMING PLAN @ PATIO
SCALE: 1/4"=1'-0"

ROOF FRAMING PLAN NOTES:

1. DATUM EL. = 100'-0". REF. CIVIL FOR ACTUAL F.F. EL.
2. ROOF JOISTS NOTED R.S. ARE ROUGH SAWN FIR. REF. ARCH.



- SPECIAL INSPECTIONS**
1. VERIFY THE QUALITY OF THE CONCRETE AND THE CURING OF THE CONCRETE.
 2. VERIFY THE QUALITY OF THE REINFORCEMENT AND THE PLACEMENT OF THE REINFORCEMENT.
 3. VERIFY THE QUALITY OF THE FORMWORK AND THE REMOVAL OF THE FORMWORK.
 4. VERIFY THE QUALITY OF THE JOINTS AND THE CONNECTIONS BETWEEN THE ELEMENTS.
 5. VERIFY THE QUALITY OF THE FINISHES AND THE PROTECTION OF THE SURFACES.
 6. VERIFY THE QUALITY OF THE INSTALLATION OF THE ROOFING AND THE INSULATION.
 7. VERIFY THE QUALITY OF THE INSTALLATION OF THE MECHANICAL AND ELECTRICAL SYSTEMS.
 8. VERIFY THE QUALITY OF THE INSTALLATION OF THE SANITARY AND VENTILATION SYSTEMS.
 9. VERIFY THE QUALITY OF THE INSTALLATION OF THE FLOORING AND THE CEILING.
 10. VERIFY THE QUALITY OF THE INSTALLATION OF THE PAINTS AND THE COATINGS.

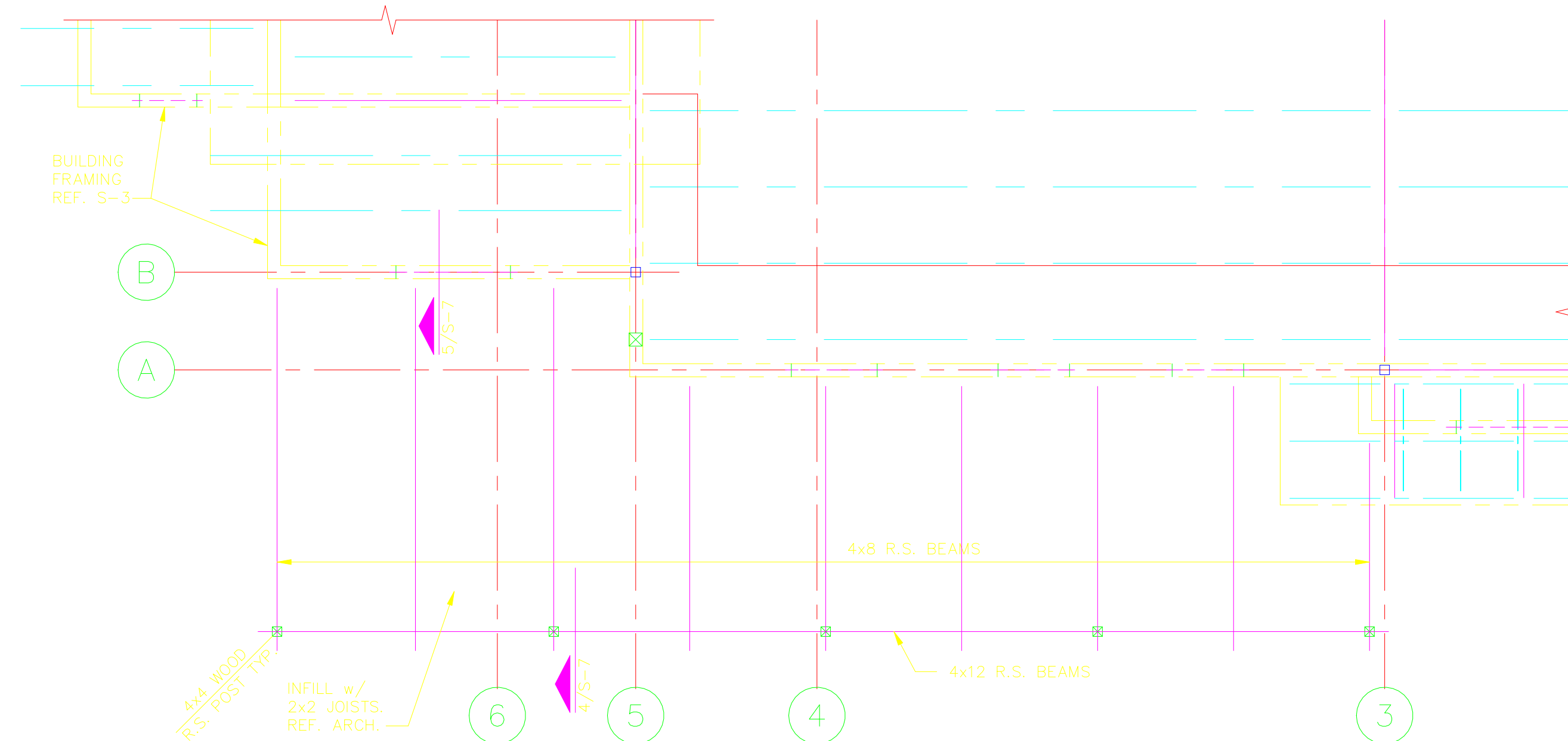


1 FOUNDATION PLAN @ PATIO

SCALE: 1/4"=1'-0"

FOUNDATION PLAN NOTES:

1. REF. CIVIL FOR ACTUAL FINISH FLOOR ELEVATION AND SLOPE AT PATIO.
2. REF. GEN. NOTES FOR SUBGRADE PREPARATIONS.

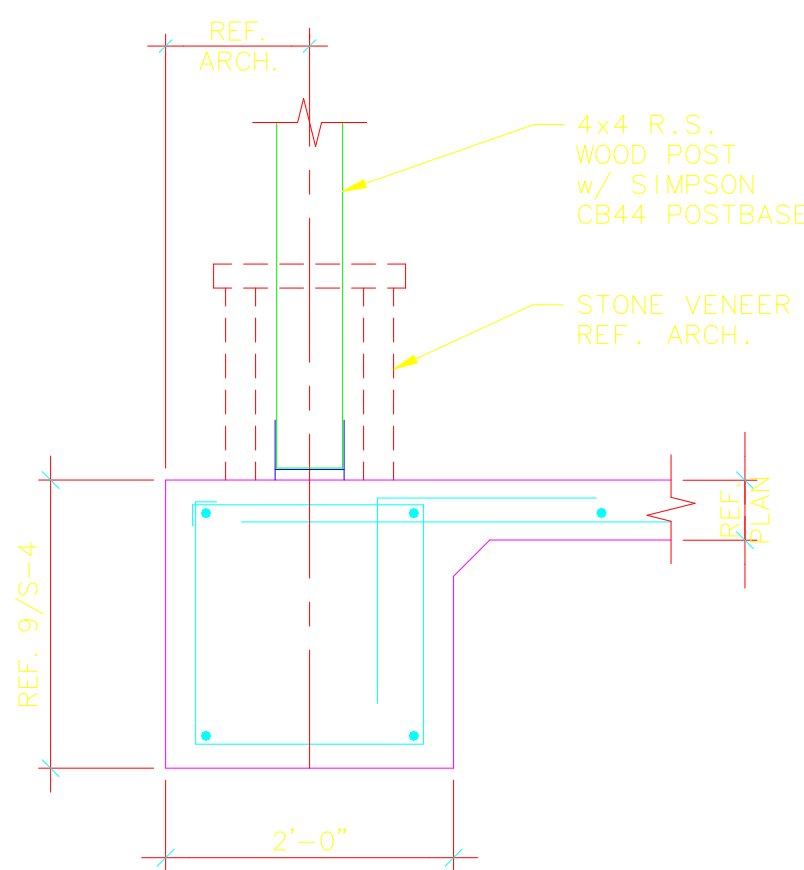


2 ROOF FRAMING PLAN @ PATIO

SCALE: 1/4"=1'-0"

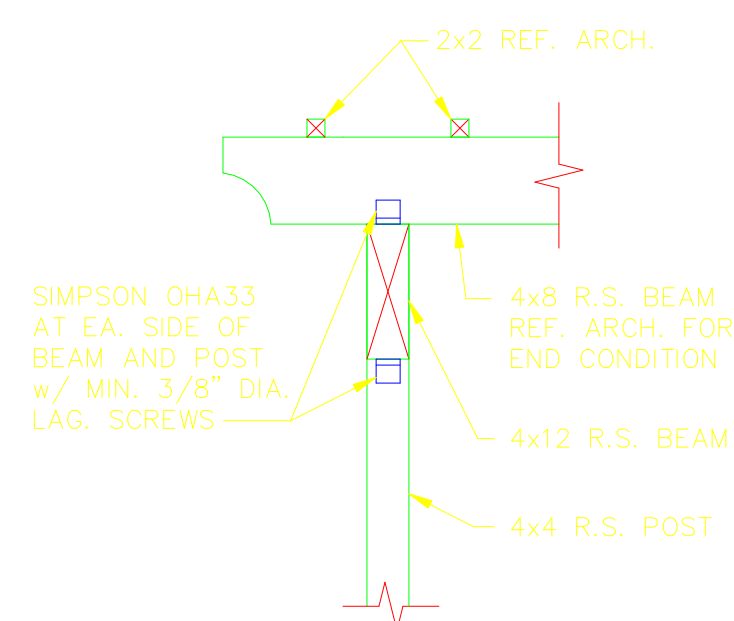
ROOF FRAMING PLAN NOTES:

1. DATUM EL. = 100'-0". REF. CIVIL FOR ACTUAL F.F. EL.
2. ROOF JOISTS NOTED R.S. ARE ROUGH SAWN FIR. REF. ARCH.



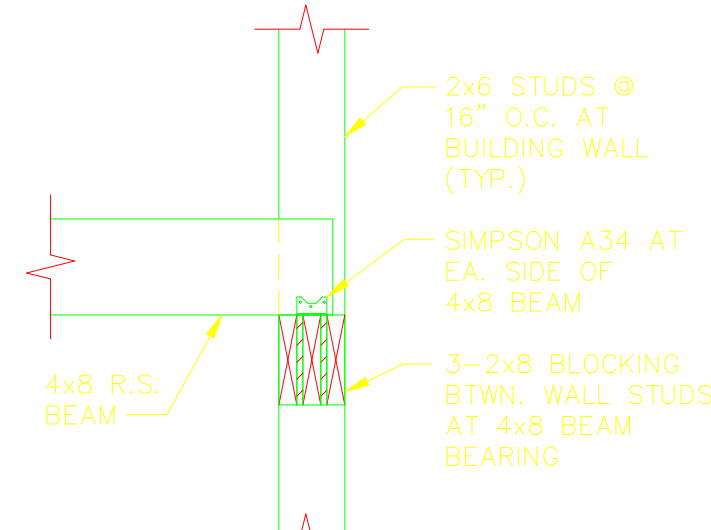
3 SECTION

SCALE: 3/4"=1'-0"



4 SECTION

SCALE: 3/4"=1'-0"



5 SECTION

SCALE: 3/4"=1'-0"

SPECIAL INSPECTIONS

1. A SPECIAL INSPECTOR SHALL BE ENGAGED TO MAKE SPECIAL INSPECTIONS OF THE CONSTRUCTION WORK AS OUTLINED BELOW IN CONFORMANCE WITH THE PROVISIONS OF CHAPTER 17 OF THE UNIFORM BUILDING CODE.
2. THE SPECIAL INSPECTOR SHALL BE APPROVED BY THE LOCAL BUILDING OFFICIAL AND SUBMIT INSPECTION REPORTS PER SECTION 1701.3.
3. THE FOLLOWING WORK SHALL BE INSPECTED BY THE SPECIAL INSPECTOR:
 - A. CONCRETE:
 1. PLACEMENT OF REINFORCEMENT - SPECIAL INSPECTION NEED NOT BE CONTINUOUS BUT MUST BE DONE ONCE PLACEMENT IS COMPLETED AND PRIOR TO CLOSING THE FORMS. ITEMS TO BE CHECKED INCLUDE BAR SIZE, GRADE, QUANTITIES, SPACING, LAP SPLICE LOCATIONS AND LENGTH. BARS SHALL BE CLEAN AND FREE OF MUD AND EXCESSIVE RUST AND MUST HAVE PROPER CONCRETE COVERAGE.
 2. CONCRETE PLACEMENT - THE SPECIAL INSPECTOR SHALL BE PRESENT DURING CONCRETE PLACEMENT OPERATIONS. ITEMS TO BE CHECKED INCLUDE MANNER OF PLACEMENT, CONSOLIDATION BY MECHANICAL VIBRATION, PREVENTION OF COLD JOINTS, PROPER LOCATION AND CONFIGURATION OF VERTICAL CONSTRUCTION JOINTS AND PROPER CURING PROCEDURES FOR COLD OR HOT WEATHER CONCRETING.
 3. EMBEDDED ANCHOR BOLTS & STUDS - SPECIAL INSPECTION SHALL BE DONE ON A CONTINUOUS BASIS. ITEMS TO BE CHECKED ARE PROPER ANCHOR BOLT DIAMETERS, EMBEDMENT LENGTHS, SPACING BETWEEN ANCHORS, EDGE DISTANCES AND CONSOLIDATION AROUND ANCHORS.
 - B. STRUCTURAL WELDING:
 1. ALL WELDING SHALL RECEIVE CONTINUOUS SPECIAL INSPECTION UNLESS COVERED BY ITEM 2.
 2. THE FOLLOWINGS ITEMS NEED NOT BE CONTINUOUSLY INSPECTED BUT SHALL BE VISUALLY INSPECTED AFTER COMPLETION OF THE WORK:
 - a. SINGLE-PASS FILLET WELDS NOT EXCEEDING 5/16 INCH IN SIZE.
 - b. WELDING OF STAIRS AND RAILING SYSTEMS.
 - c. WELDING DONE IN AN APPROVED FABRICATOR'S SHOP IN ACCORDANCE WITH SECTION 1701.7.
 3. ITEMS TO BE CHECKED ARE THE CERTIFICATION OF THE WELDERS, WELDING PROCEDURES AND MATERIALS, VISUAL INSPECTION OF WELD SIZE, LENGTH, QUALITY, QUANTITY AND SPACING.
 - C. STRUCTURAL MASONRY:
 1. PERIODIC SPECIAL INSPECTION SHALL BE MADE DURING THE PREPARATION AND TAKING OF PRISMS AND TEST SPECIMENS, AT THE START OF LAYING UNITS, AFTER THE PLACEMENT OF REINFORCING STEEL, GROUT SPACE PRIOR TO EACH GROUTING OPERATION.
 2. CONTINUOUS SPECIAL INSPECTION SHALL BE DONE DURING ALL GROUTING OPERATIONS.
 3. ITEMS TO BE CHECKED ARE MORTAR MIXES, PROPER SETTING OF BED AND HEAD JOINTS, PROPER CLEANING OF GROUT CELLS, REINFORCEMENT SIZE, GRADE, SPACING, AND SUPPORT, GROUTING PROCEDURES AND CONSOLIDATION.
 - D. POST INSTALLED ANCHORS:
 1. THE INSTALLATION OF CHEMICAL - TYPE ANCHORS IN CONCRETE SHALL BE CONTINUOUSLY INSPECTED.
 2. ITEMS TO BE CHECKED ARE PROPER BOLT DIAMETERS, EMBEDMENT LENGTHS, SPACING BETWEEN ANCHORS, EDGE DISTANCES AND INSTALLATION PROCEDURE COMPLIANCE WITH THE APPROPRIATE EVALUATION REPORT.
 - E. WOOD FRAMING:
 1. THE FOLLOWING MATERIALS SHALL BE CHECKED PRIOR TO THEIR ERECTION: LOAD BEARING STUD SPECIES AND GRADE; WALL SHEATHING PANEL GRADE, SPAN RATING AND NAILS; SHEAR WALL SHEATHING PANEL GRADE, SPAN RATING AND NAILS; ROOF SHEATHING PANEL GRADE, SPAN RATING AND NAILS; GLUED LAMINATED BEAM SPECIES COMBINATION.
 2. THE FOLLOWING ITEMS SHALL BE CHECKED ON A PERIODIC BASIS DURING CONSTRUCTION: NAILING, BOLTING, ANCHORING AND OTHER FASTENING OF COMPONENTS WITHIN THE LATERAL LOAD RESISTING SYSTEM INCLUDING DRAG STRUTS, COLLECTORS AND HOLD-DOWNS.
 - F. GRADING, EXCAVATIONS AND COMPACTED FILL:
 1. DURING EARTHWORK EXCAVATIONS, GRADING AND FILLING OPERATIONS INSPECTION TO SATISFY REQUIREMENTS OF CHAPTER 18 AND APPENDIX CHAPTER 33.

PERMIT ISSUE:

22 SEPT. 2003

REVISIONS:

- | | |
|-------------|----------------|
| 28 OCT 2003 | ADDENDUM #1 |
| 12 NOV 2003 | CITY COMMENTS |
| 18 DEC 2003 | CITY COMMENTS |
| 28 JAN 2004 | OWNER COMMENTS |

PROTO 90
HWY 287 AT PEARL RD.
CASA GRANDE, AZ

Johnny
Carino's
COUNTRY ITALIAN

nea Architecture

6500 Greenville Ave
Suite 307
Dallas, TX 75206
214.361.9901
Fax 361.9906

HGA Hart, Gaugler & Associates, Inc.
Structural Engineering Services
12801 N. Central Expressway, #1400
Dallas, TX 75243
972-239-5111 / 972-239-5055 (Fax)

DRAWN: JLL DESIGN: JEK HGA JOB # 203180

SHEET NO:

S-7

SCALE: JOB # 203180