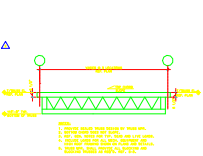
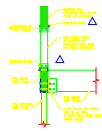


1 SHEAR WALL ELEVATION



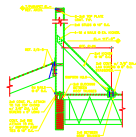
2 T1 TRUSS PROFILE



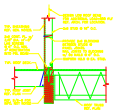
4 SECTION

SIMPSON HOLD-DOWN SCHEDULE

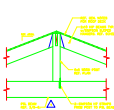
Anchor	Height	Wind	Notes
1	10'-0"	150	1/2" x 10'
2	10'-0"	150	1/2" x 10'
3	10'-0"	150	1/2" x 10'
4	10'-0"	150	1/2" x 10'



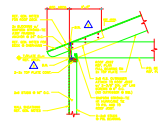
5 SECTION



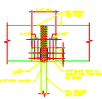
6 SECTION



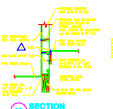
7 SECTION



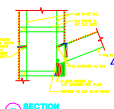
8 SECTION



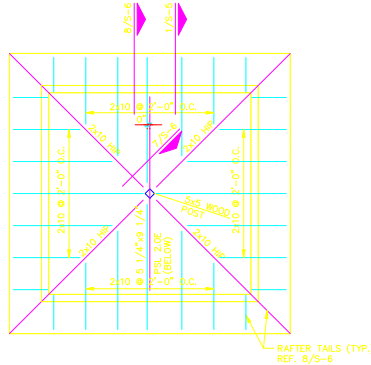
9 SECTION



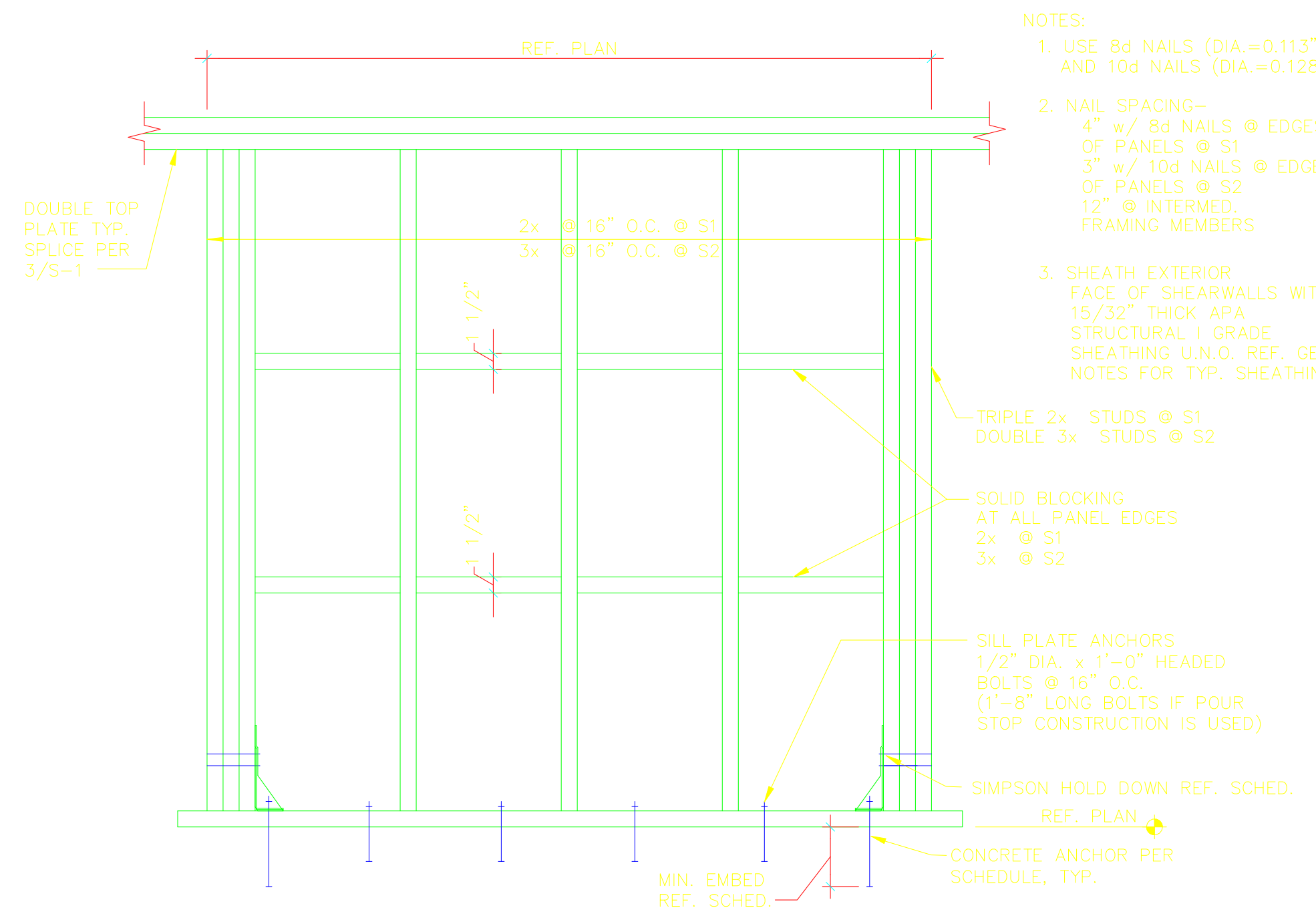
10 SECTION



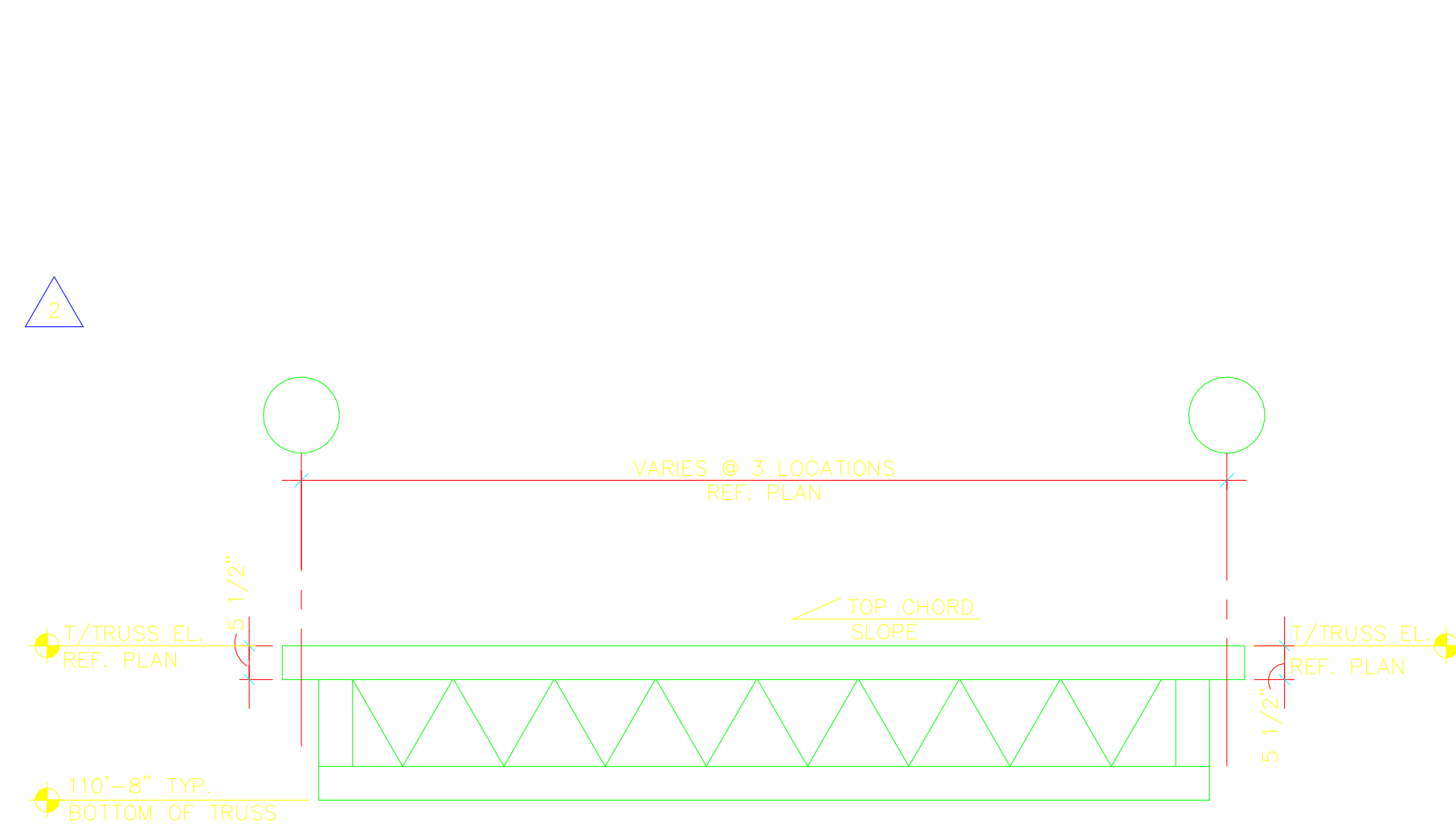
11 SECTION



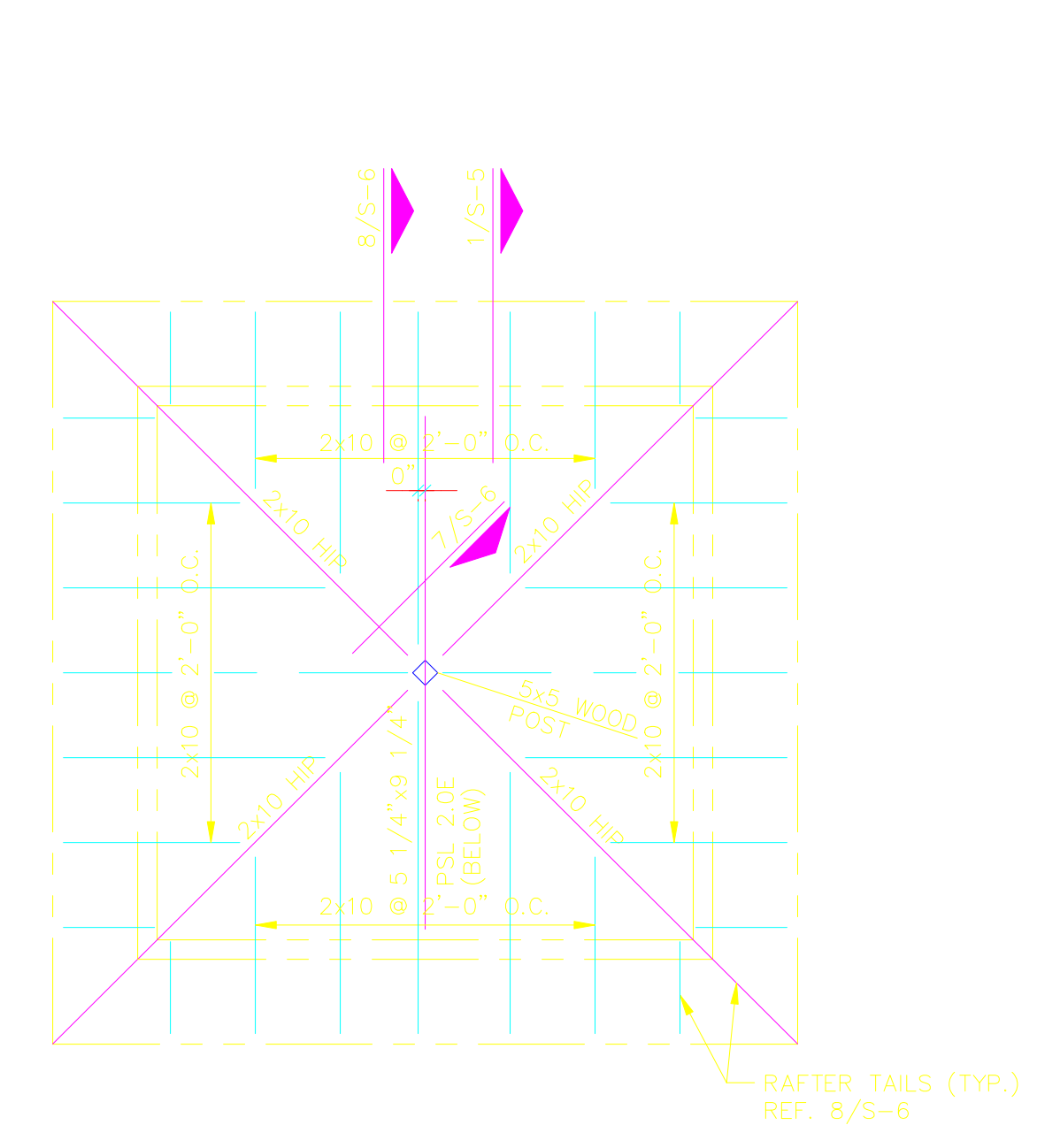
3 PARTIAL PLAN @ HIGH ROOF FRAMING
SCALE: 1/4"=1'-0"



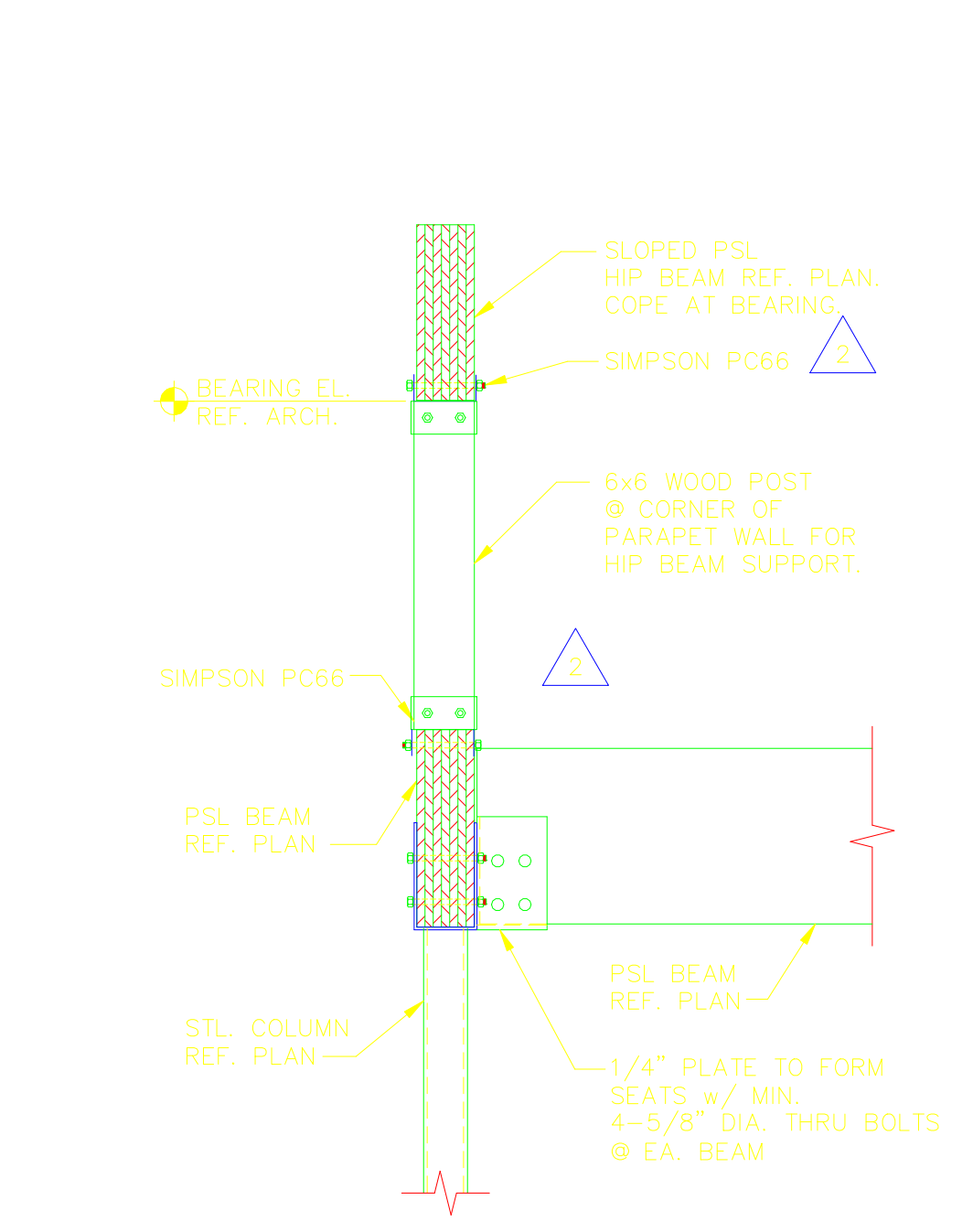
1 SHEAR WALL ELEVATION
 NOT TO SCALE



2 T1 TRUSS PROFILE
 NOT TO SCALE

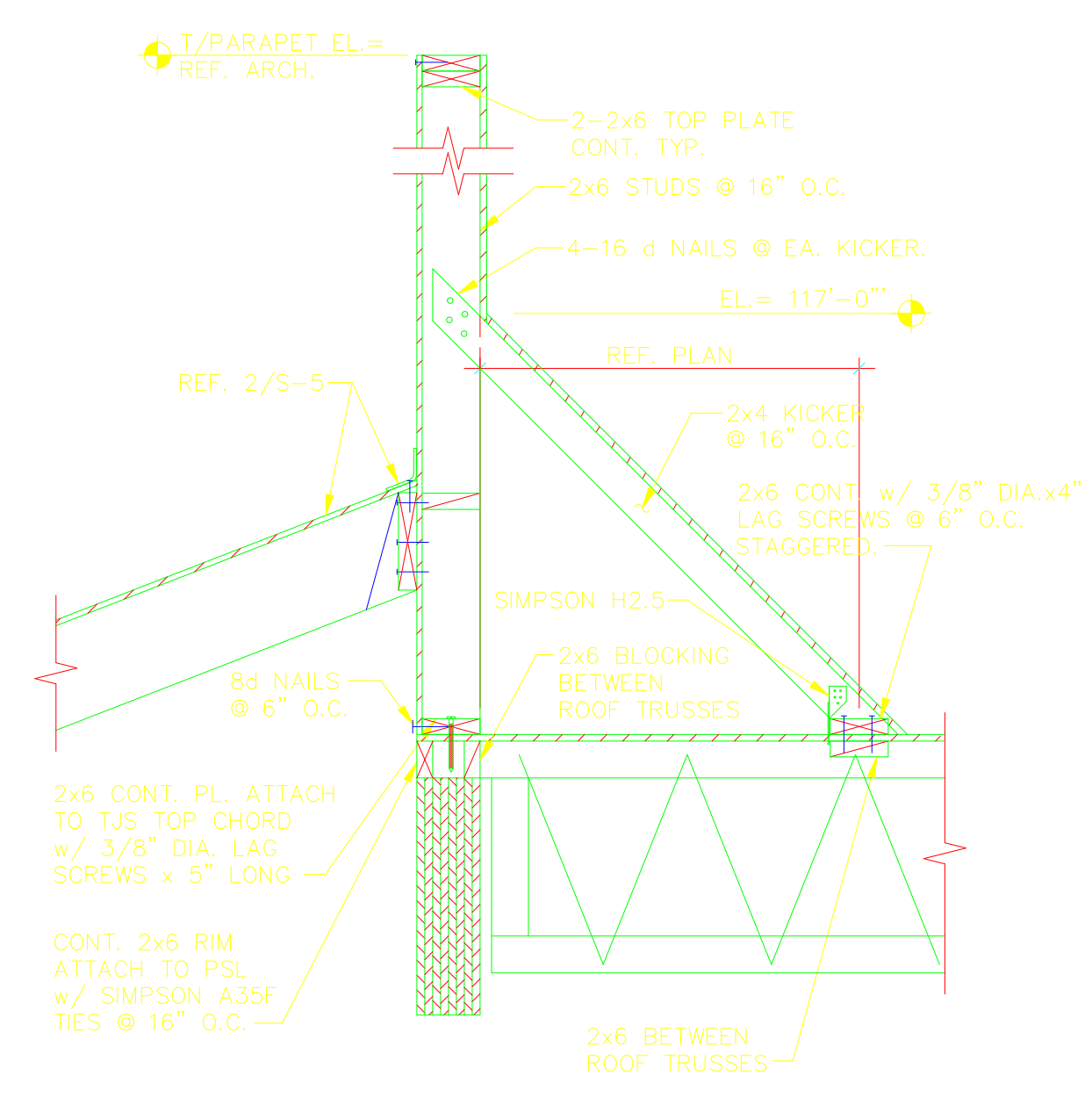


3 PARTIAL PLAN @ HIGH ROOF FRAMING
 SCALE: 1/4"=1'-0"

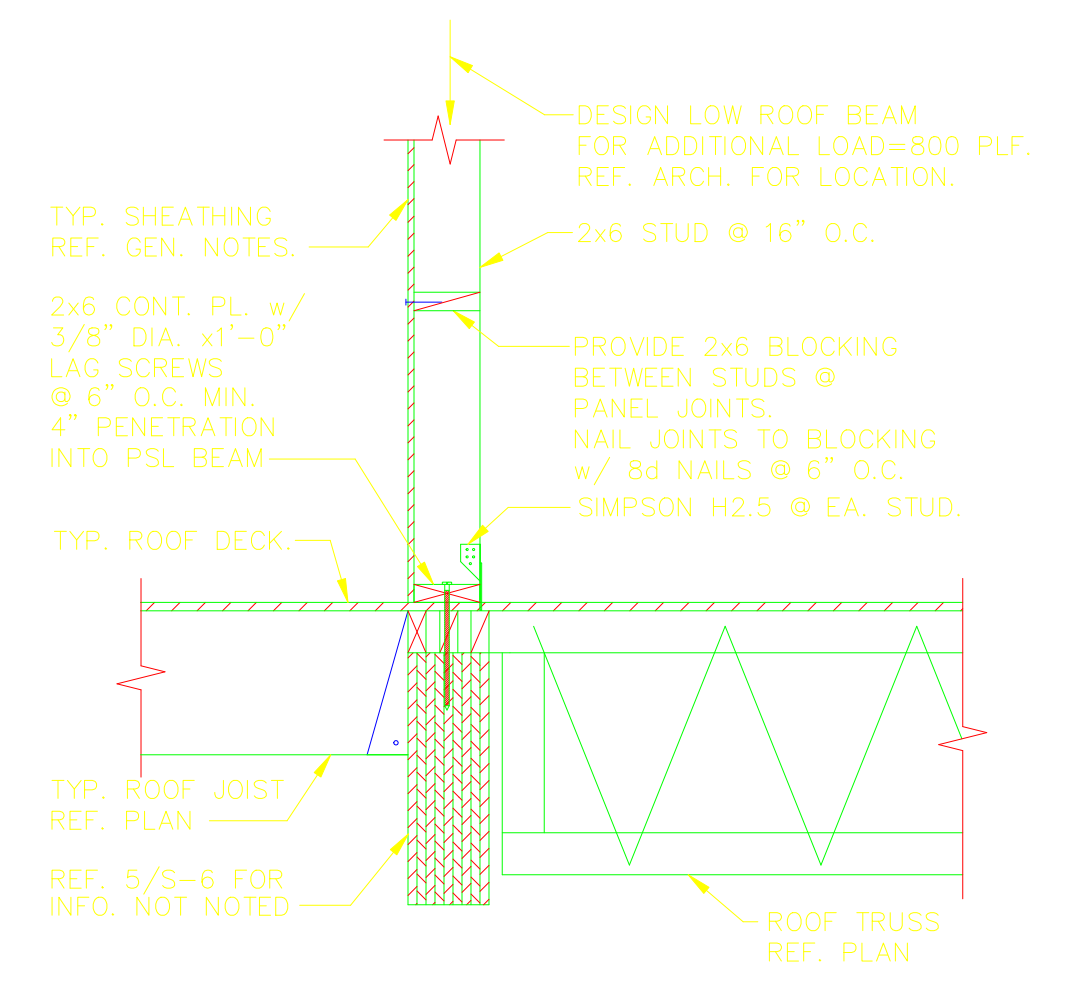


4 SECTION
 SCALE: 3/4"=1'-0"

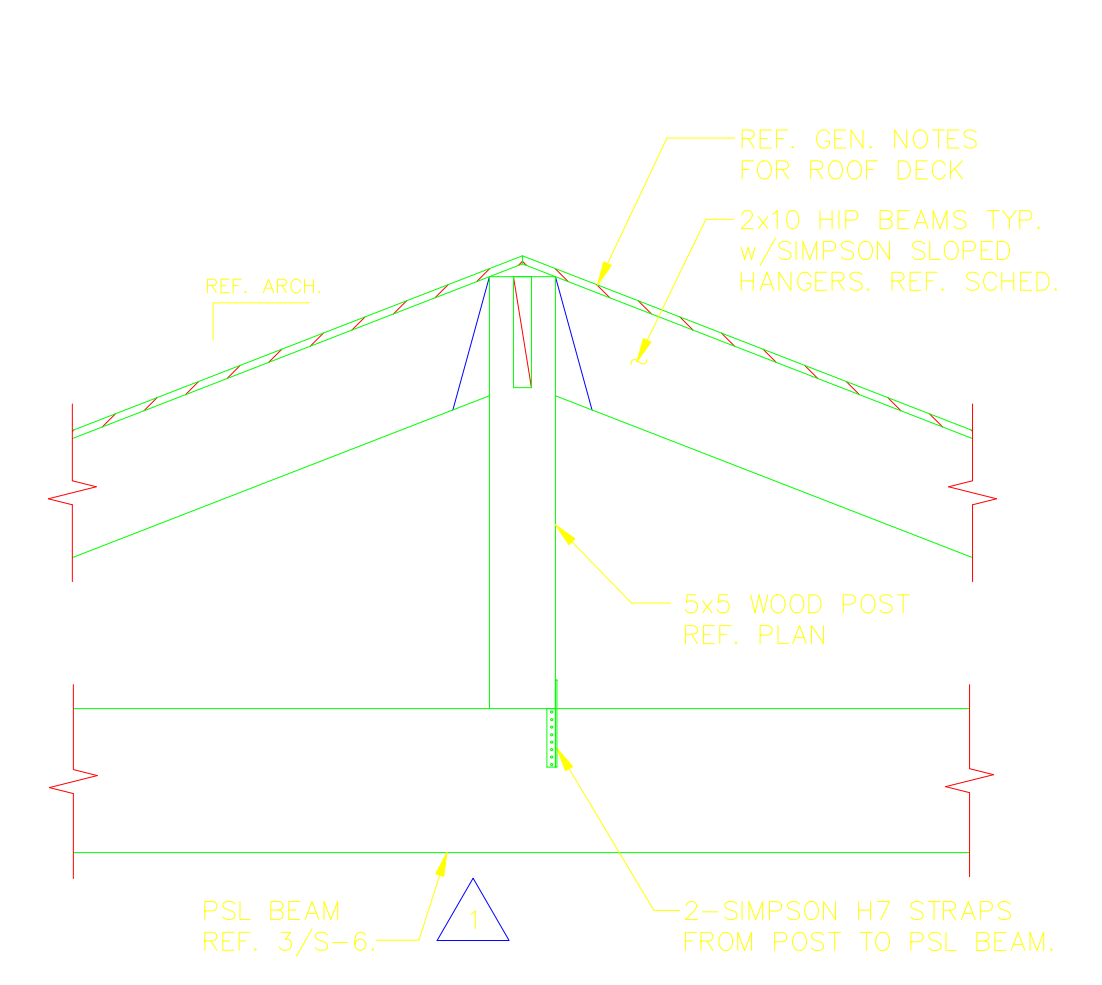
SIMPSON HOLD-DOWN SCHEDULE			
SHEARWALL MARK	SIMPSON HOLD-DOWN	ANCHOR BOLT	MIN. EMBED
S1	PHDS	SSTB 24	1'-8 5/8"
S2	HD10A	SSTB 34	2'-4 7/8"



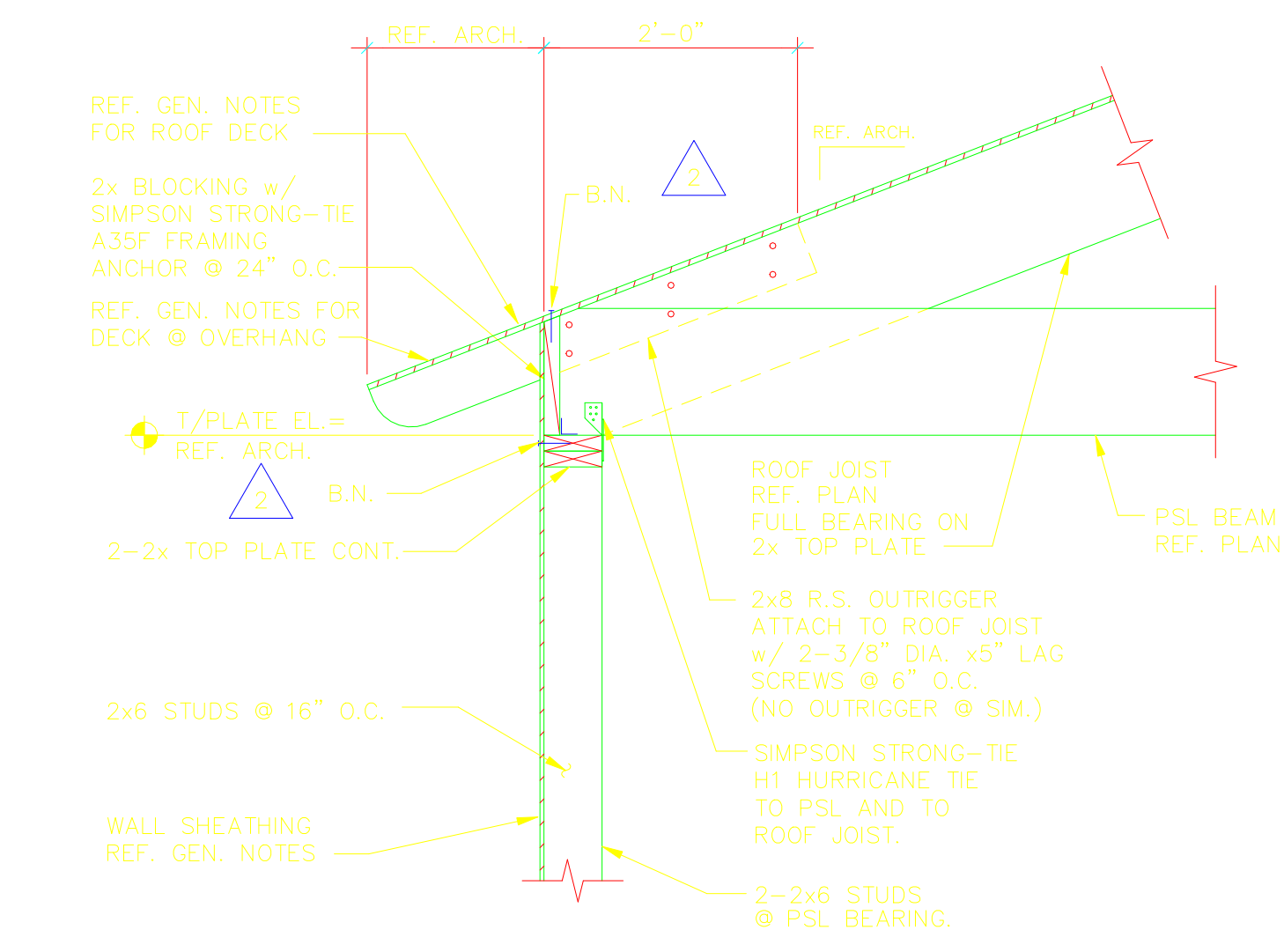
5 SECTION
 SCALE: 3/4"=1'-0"



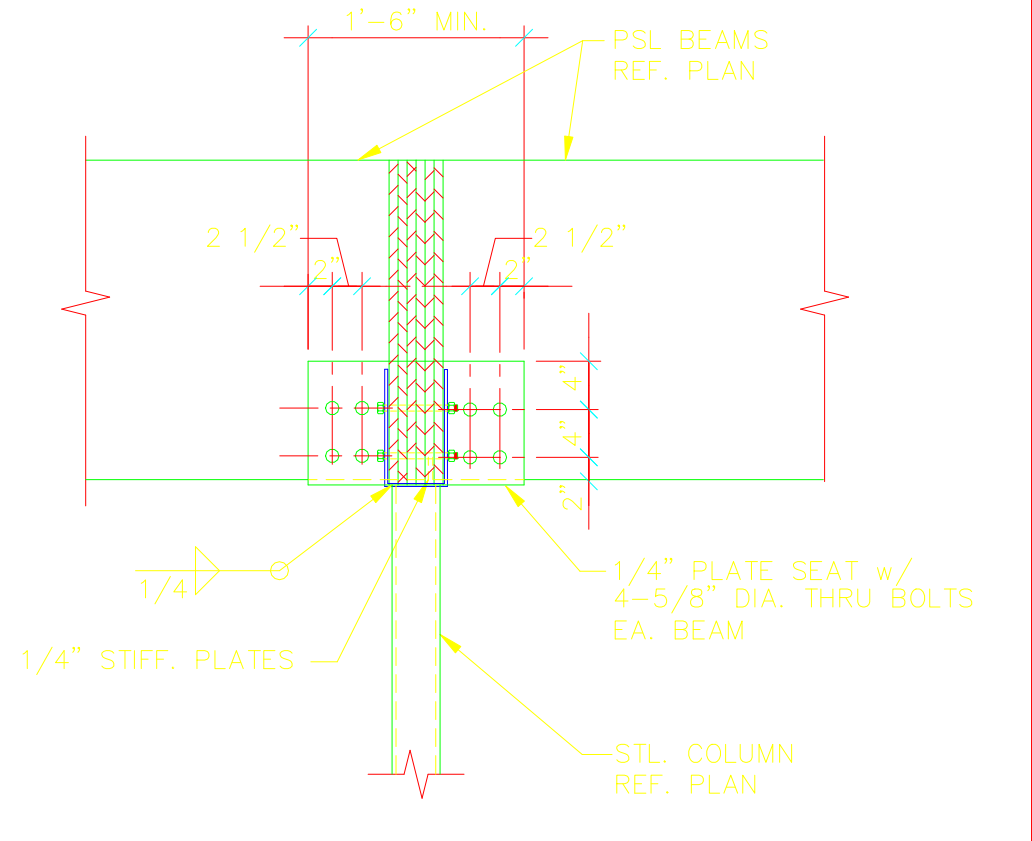
6 SECTION
 SCALE: 3/4"=1'-0"



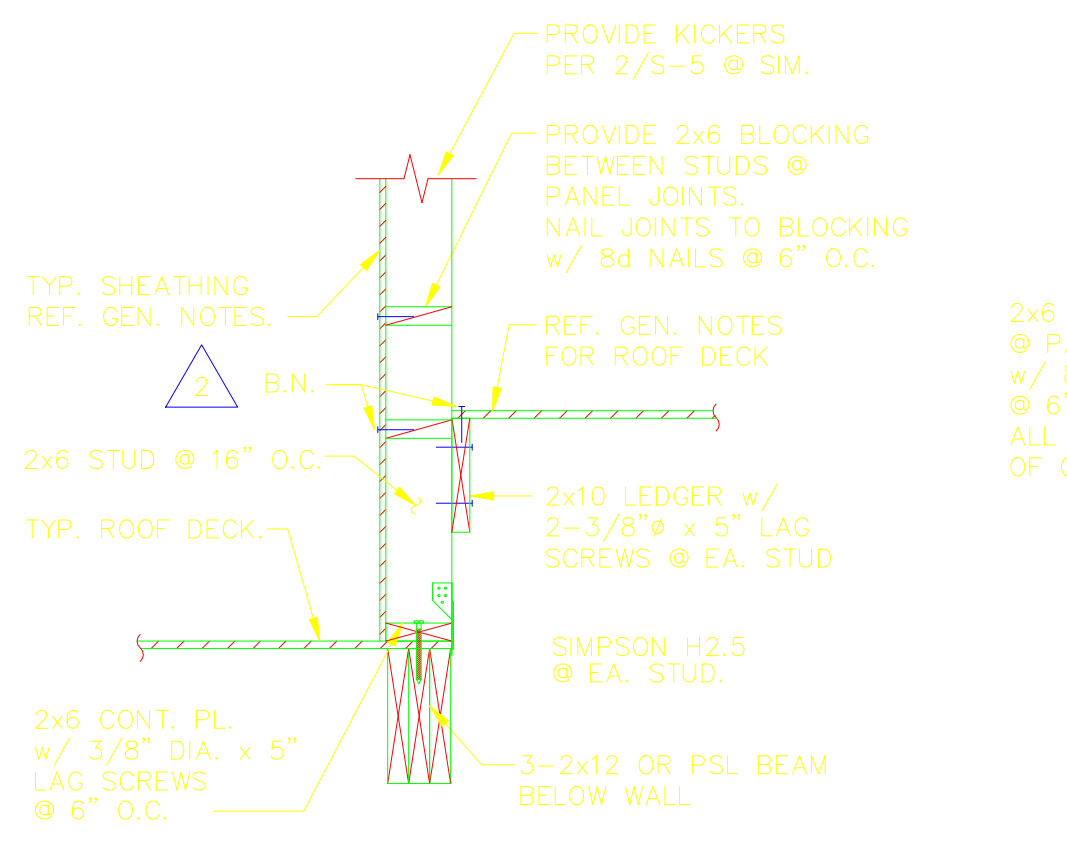
7 SECTION
 SCALE: 3/4"=1'-0"



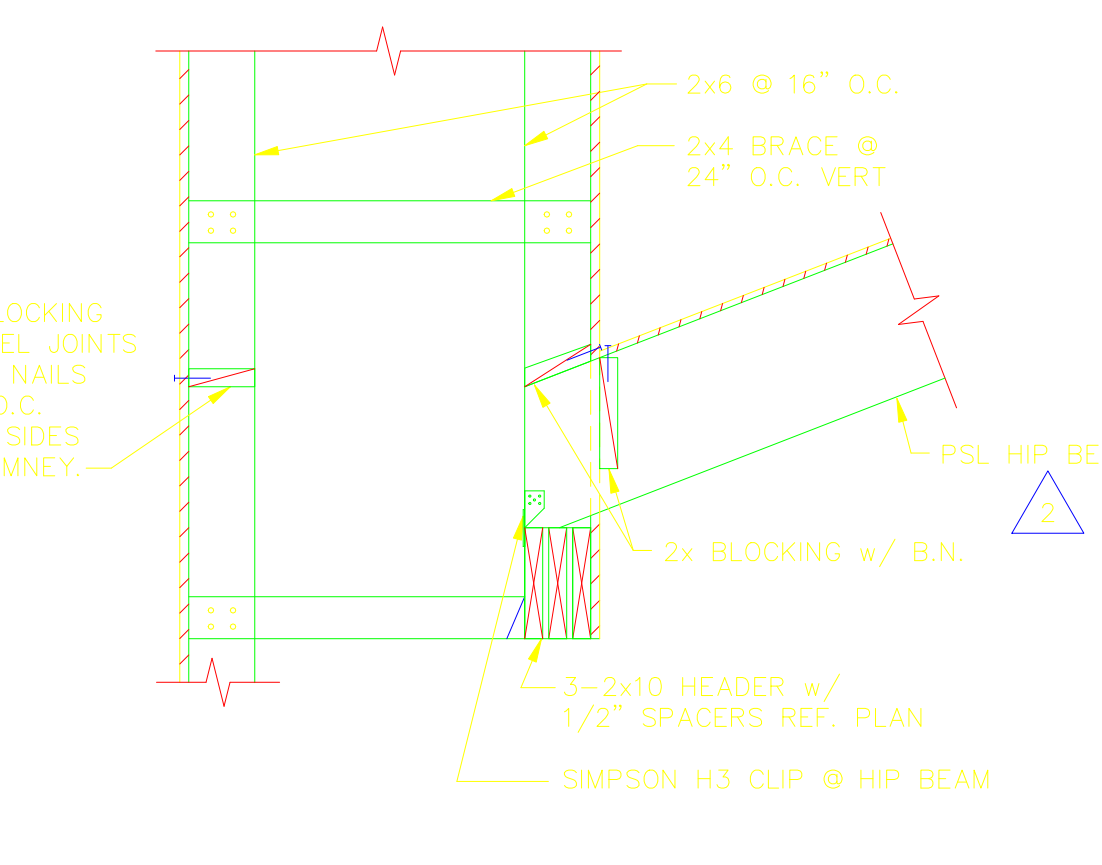
8 SECTION
 SCALE: 3/4"=1'-0"



9 SECTION
 SCALE: 3/4"=1'-0"



10 SECTION
 SCALE: 3/4"=1'-0"



11 SECTION
 SCALE: 3/4"=1'-0"

PERMIT ISSUE:

22 SEPT. 2003

REVISIONS:

28 OCT. 2003	ADDENDUM #1
12 NOV. 2003	CITY COMMENTS
18 DEC. 2003	CITY COMMENTS
28 JAN. 2004	OWNER COMMENTS

PROTO 90
 HWY 287 AT PEARL RD.
 CASA GRANDE, AZ



nca Architecture
 6500 Greenville Ave
 Suite 307
 Dallas, TX 75206
 214.361.9901
 Fax 361.9906

HGA Hart, Gaugler & Associates, Inc.
 Structural Engineering Services
 12801 N. Central Expressway, #1400
 Dallas, TX 75243
 972-239-5111 / 972-239-5055 (Fax)

SHEET NO. **S-6**